

MULTI CARRIER

HXF 2802.1



PARTS

UK

1th Edition 2018

 **GREENTEC**

Cutting Edge Technology

IMPORTANT INFORMATION**GreenTec HXF2802.1****PARTS**
1th Edition – 2018

NOTICE: Please ensure that this manual is handed to the operator before using the machine for the first time. If the machine is resold, the Parts list must be given to the new owner!

The information contained in this Parts list is correct at the time of publication. However, in the course of constant development, changes in specification are inevitable. Should you find the information given in this book different to the machine it relates to please contact the “After Sales Department” for advice.



CONTENTS

CONTENTS	4
INTRODUCTION	5
USEFUL INFORMATION	6
ORDERING PARTS	7
SPARE PARTS	8
Mainframe	8
ADGT 1000 Complete head bracket	10
ADGT 1001 Arm.....	12
ADGT 1002 Break back	14
ADGT 1003 Head arm.....	16
ADGT 1005 Hose	17
ADGT 1006 Splitter valve.....	18
Controlbox with cable	20
ADGT 1004 EL-valve (Option)	21
ADGT 1007 Counterweight (Option)	23
ADGT 1008 Support leg (Option)	24
Stickers	25

INTRODUCTION

Dear customer!

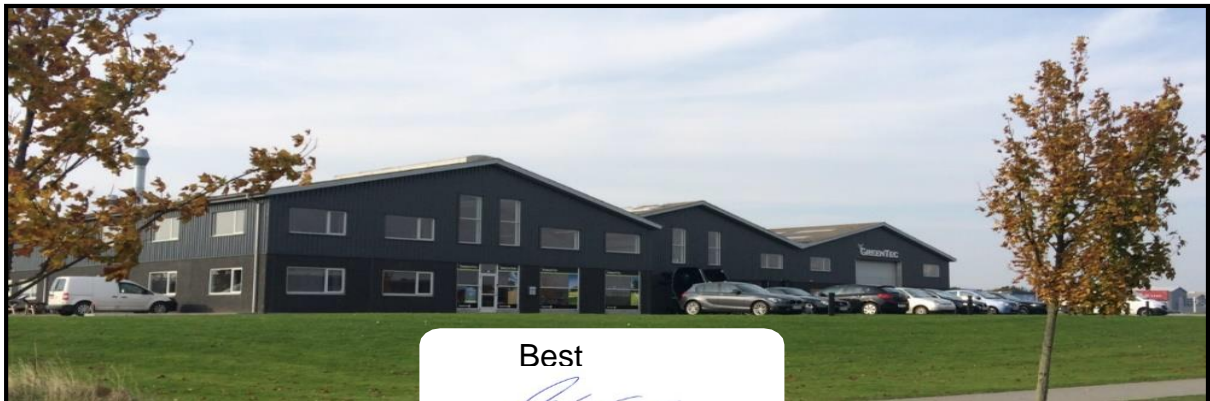
Your new GreenTec machine is constructed with background in more than 20 years' experience with tractor-mounted machines to maintenance of green areas. This machine is produced by the latest technology and recognized safety regulations, standards and regulations.

We want to make a product available in such a way, that neither the use of the machine during transportation or maintenance of the machine causes any damage or misunderstandings.

This parts list contains information that are important and useful for maintaining your GreenTec machine's reliability, dependability and value.

You are welcome to visit our website www.greentec.eu - where the login via the dealer's access gives you the latest updates on instructional and part books on our entire product range.

We hope you will be pleased with your new GreenTec machine.



Best

A handwritten signature in blue ink, appearing to read "John Christensen".

John Christensen
SalesDirector GreenTec

GreenTec's vision is to develop and sell quality machines for the maintenance of green areas, including in agriculture, in industry, at airports and in the local sector. Through innovative product development, we will strive to become a leader in our field.

All machines are developed in a simple and functional design in close cooperation with dealers and end users. It is our goal to cover every need in the market segment with preferably two different solutions. In-depth analysis of requirements and serious advice to the customer is offered the best solution, where individual needs can be met through the modularity of the product program.

Our goal is also to offer the best possible after sales service, and a quick and efficient spare parts supply.

USEFUL INFORMATION

Before using the machine for the first time, it's the seller's responsibility that the buyer is given this parts list. If the machine is resold, the parts list must be transferred to the new owner.

Please fill out the list below to ensure that the necessary information is at hand when ordering spare parts etc.

Serial No	<input type="text"/>
Delivery date	<input type="text"/>
Dealer	<input type="text"/>
	<input type="text"/>
	<input type="text"/>
Tel/ fax	<input type="text"/>



ORDERING PARTS

When ordering parts please refer to your parts list to help your dealer with your order.

- Part number and quantity
- Description
- Machine model number
- Serial number of the machine
- Delivery instructions (e.g. next day).

Delivery is normally via carrier direct to your dealer. Please check with your dealer for stock availability and arrangement of dispatch. Ensure you or your dealer has sufficient cover for parts requirement outside factory hours.

Important Note:

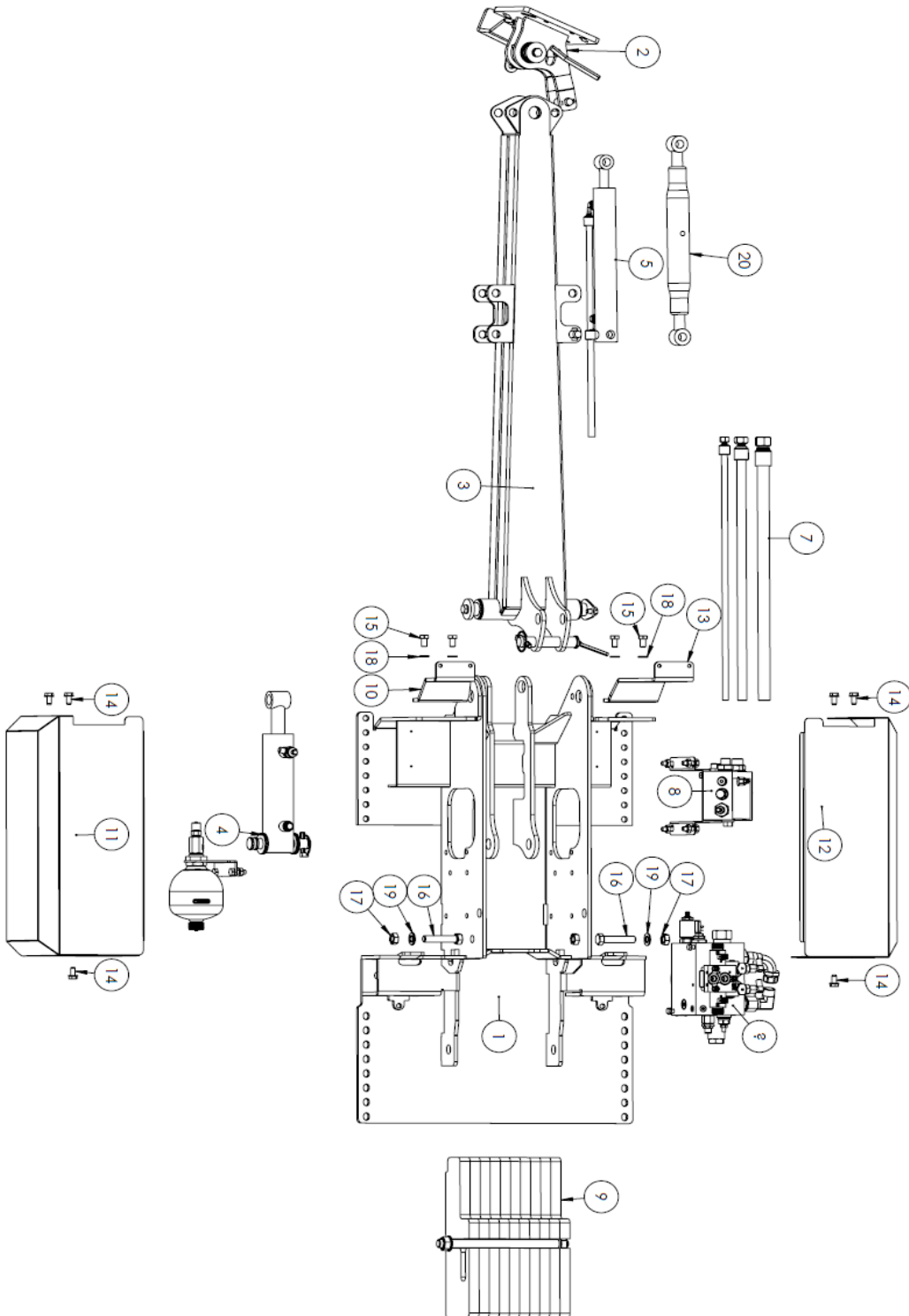
The information contained in this manual is correct at the time of publication. However, in the course of constant development, changes in specification are inevitable. Should you find the information given in this book different to the machine it relates to, please contact the “After Sales Department” for advice.

Key:

LH: Left hand
RH: Right hand

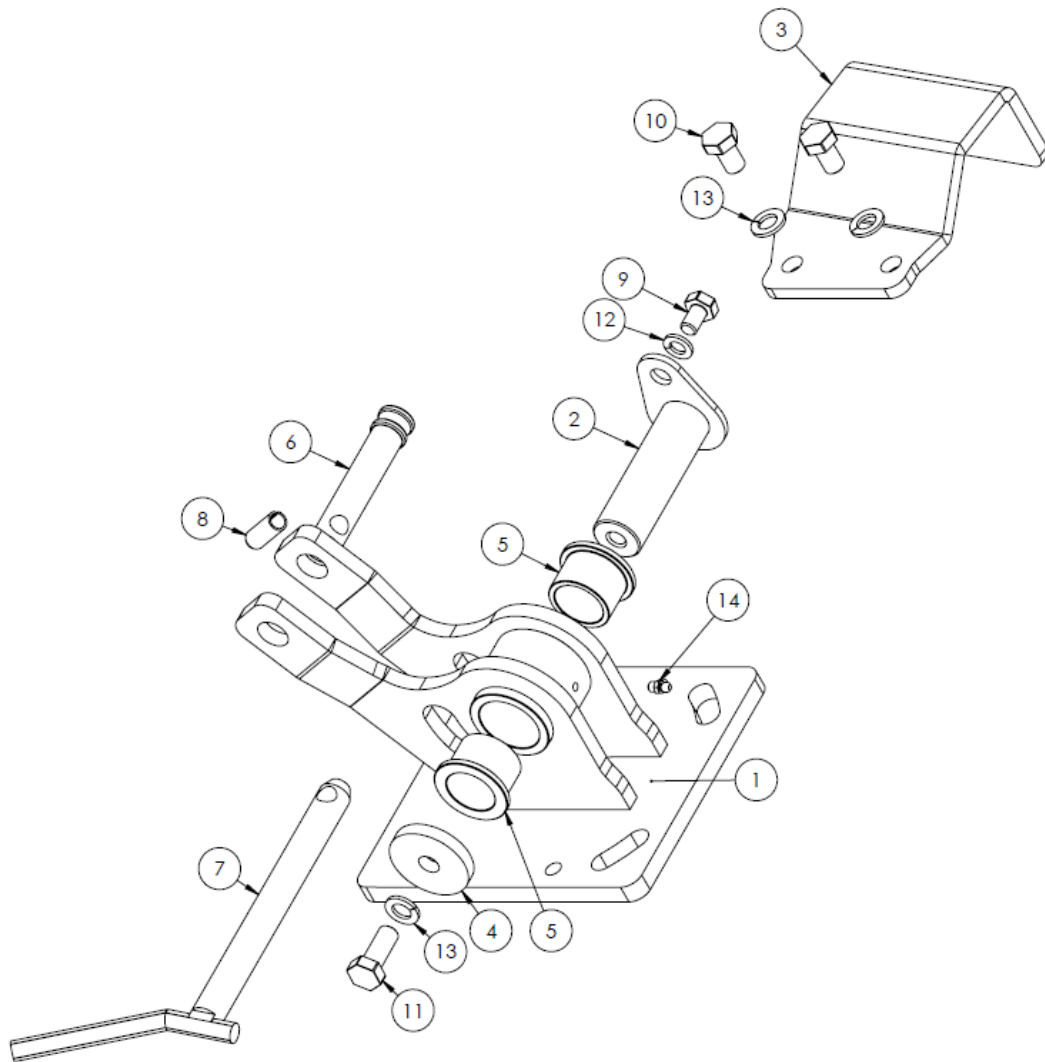
SPARE PARTS

Mainframe



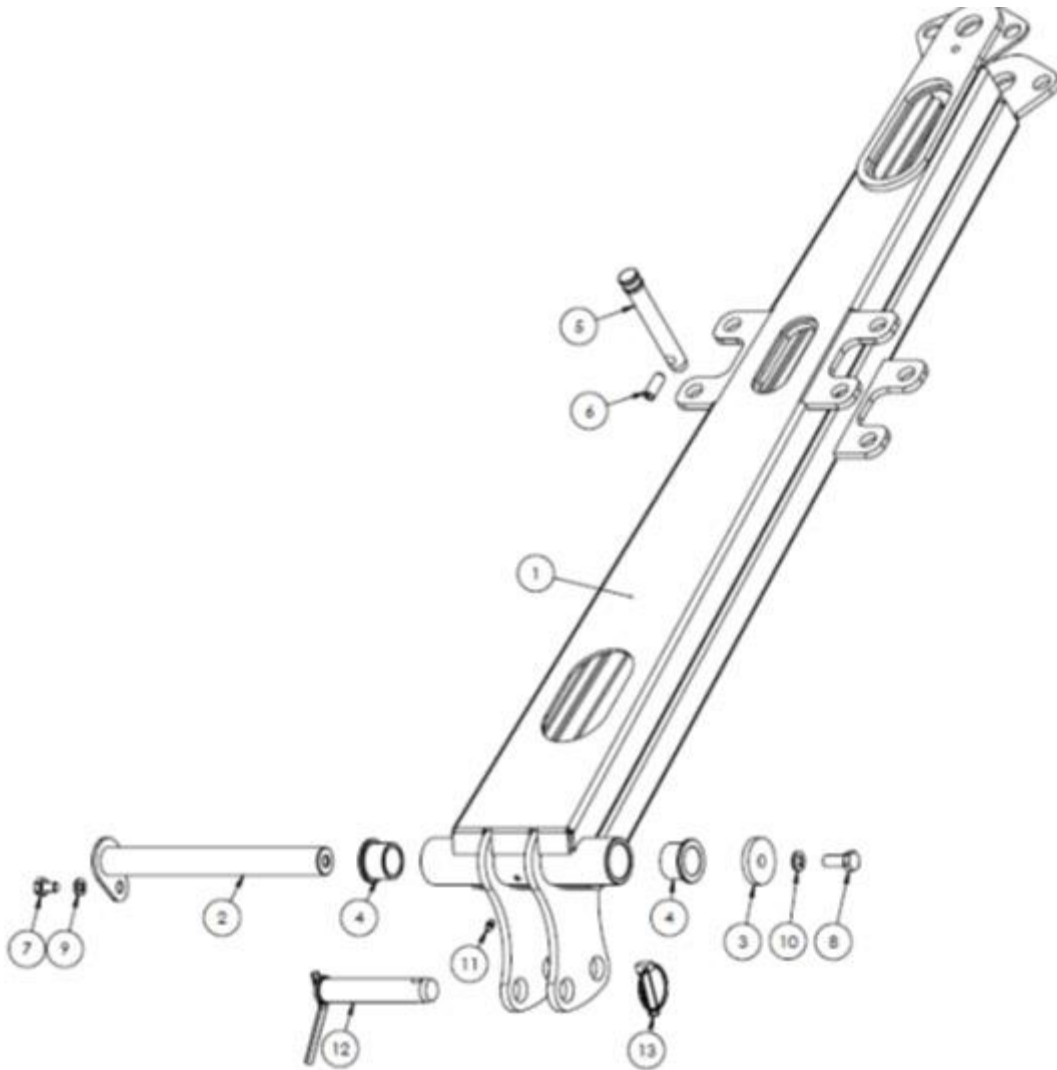
ITEM NO.	PART NUMBER	DESCRIPTION	QTY.
1	8290005	Main frame	1
2	ADGT1000	Complete Head bracket	1
3	ADGT1001	Complete arm	1
4	ADGT1002	Break back	1
5	ADGT1003	Complete head ram	1
6	ADGT1004	Complete el-valve	1
7	ADGT1005	Hosesæt	1
8	ADGT1006	Splitter valve	1
9	ADGT1007	Counterweight	1
10	8290008	Support legs short R	1
10	8290021	Support legs long R	1
11	8290009	Cover	1
12	8290026	Cover	1
13	8290028	Support legs short L	1
13	8290029	Support legs long L	1
14	200104.0	Bolt	6
15	8252007	Bolt	4
16	8352001	Bolt	2
17	2770449	Nut	2
18	2770434	Washer	4
19	2770454	Washer	2
20	8286003	Toplink	1

ADGT 1000 Complete head bracket



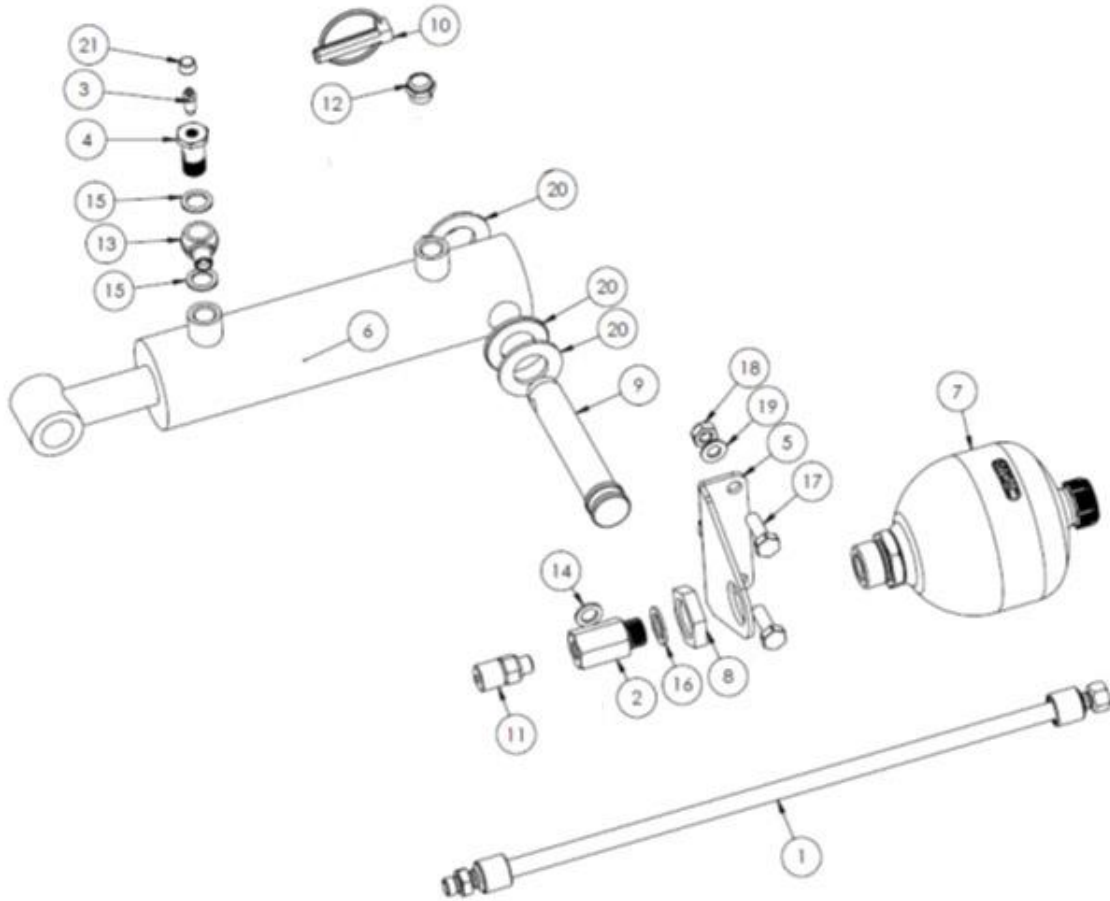
ITEM NO.	PART NUMBER	DESCRIPTION	QTY.
1	8290001	Head crowd bracket	1
2	8290002	Pin	1
3	8290006	Support leg	1
4	8290007	Washer	1
5	8284001	Plastbushing	2
6	8290030	Bolt	1
7	8290051	Bolt with handle	1
8	8352003	Dowel pin	1
9	8142002	Bolt	1
10	8252007	Bolt	2
11	8222006	Bolt	1
12	8222003	Washer	1
13	2770434	Washer	3
14	2770467	Grease nipple	1

ADGT 1001 Arm



ITEM NO.	PART NUMBER	DESCRIPTION	QTY.
1	8290003	Arm	1
2	8290004	Star pin	1
3	8290007	HD washer	1
4	8284001	Buche	2
5	8286002	Top link bolt	1
6	8352003	Dowel pin	1
7	8142002	Bolt	1
8	8222006	Bolt	1
9	2770412	Washer	1
10	8222005	Washer	1
11	2770467	Grease nipple	1
12	6706003	Bolt with handler	1
13		Incl. in pos 12	

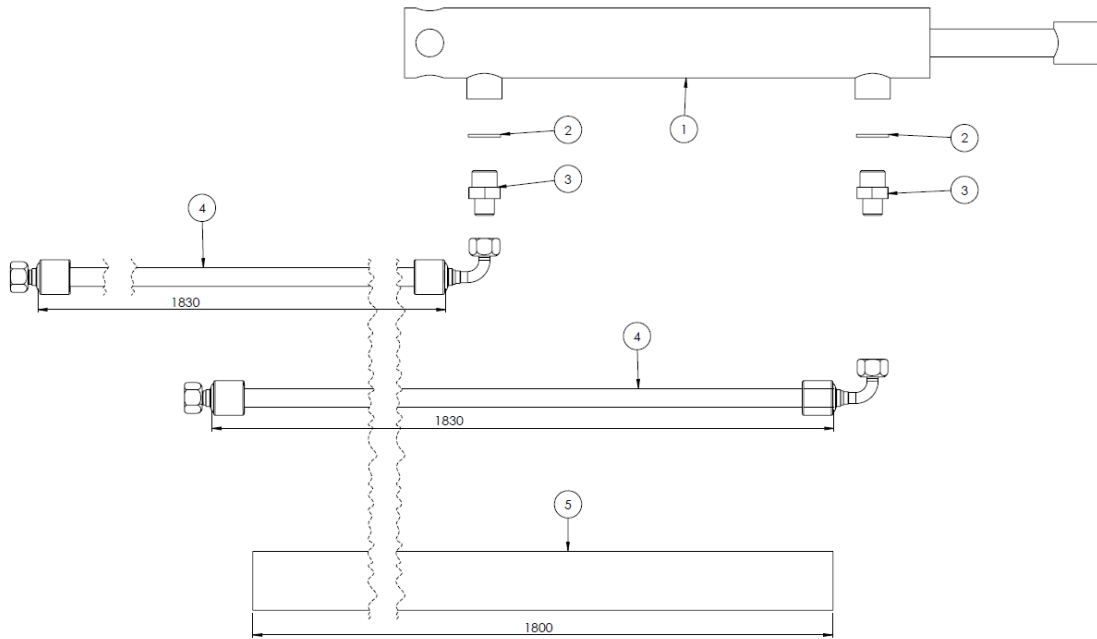
ADGT 1002 Break back



1. Fill the accumulator with nitrogen (pressure 32 bar)
2. Hydraulic fittings install with loctite.
3. Accumulator and cylinder is coupled together with the hose.
4. Cylinder is placed so that breathing screw (pos 3) is the highest point. Fill hydraulic coil through test nipple (pos 11) until no air is in system.
5. Tighten the breathing screw (pos 3) and filled until pressure 50bar

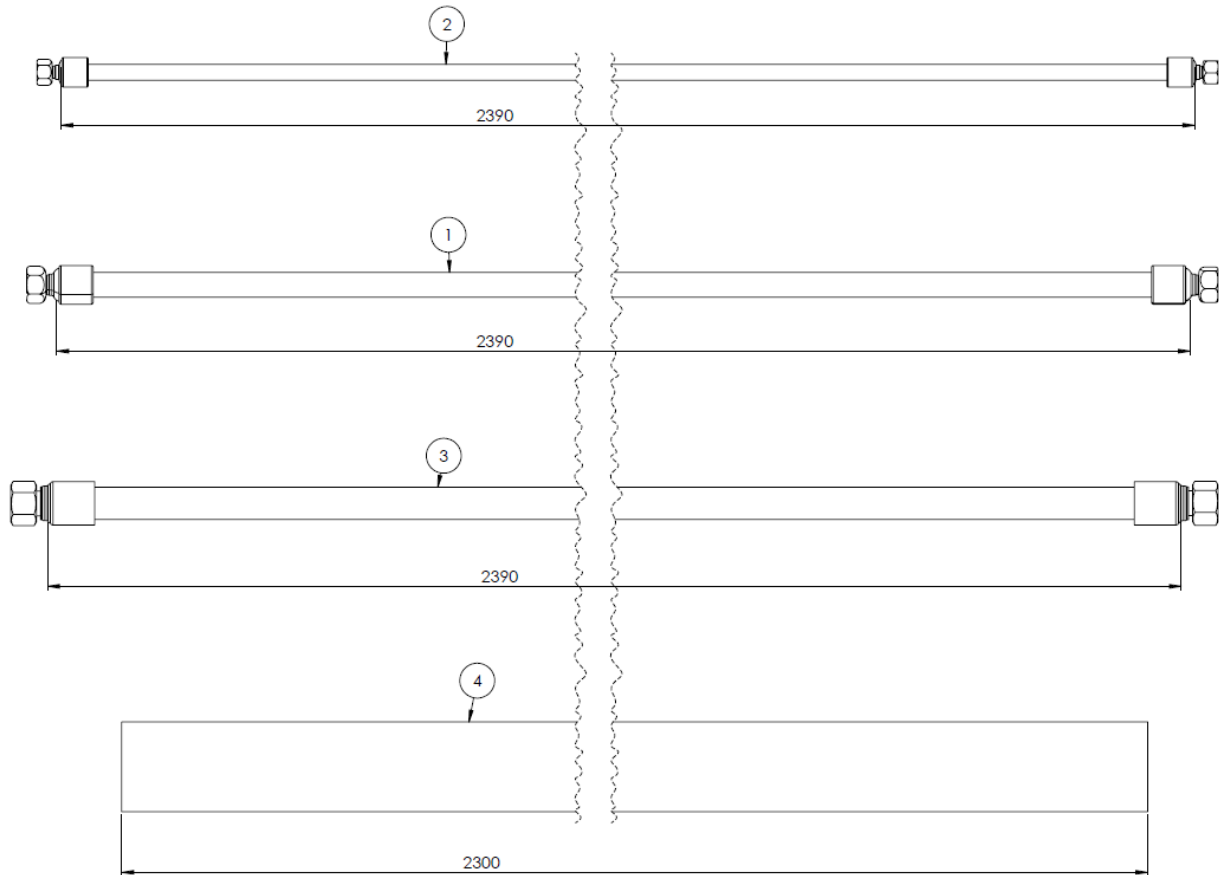
ITEM NO.	PART NUMBER	DESCRIPTION	QTY.
1	8290010	Hose for break back	1
2	8290022	Nipple	1
3	8290023	Breather	1
4	8290024	Fitting	1
5	8351011	Bracket	1
6	8283017	Ram	1
7	6703005	Accumulator	1
8	6702005	Lock nut	1
9	8290031	Bolt	1
10	00.372.01	Lynch pin	1
11	6703007	Testnipple	1
12	6703013	Filter plug	1
13	6703011	Banjo bolt	1
14	8143005	Bounded seals	1
15	6703003	Bounded seals	2
16	6703010	Bonded seals	1
17	200109.0	Bolt	2
18	2770412	Lock nut	2
19	2770436	Washer	2
20	2770552	Washer	3
21	8290025	Cover for breather	1

ADGT 1003 Head arm



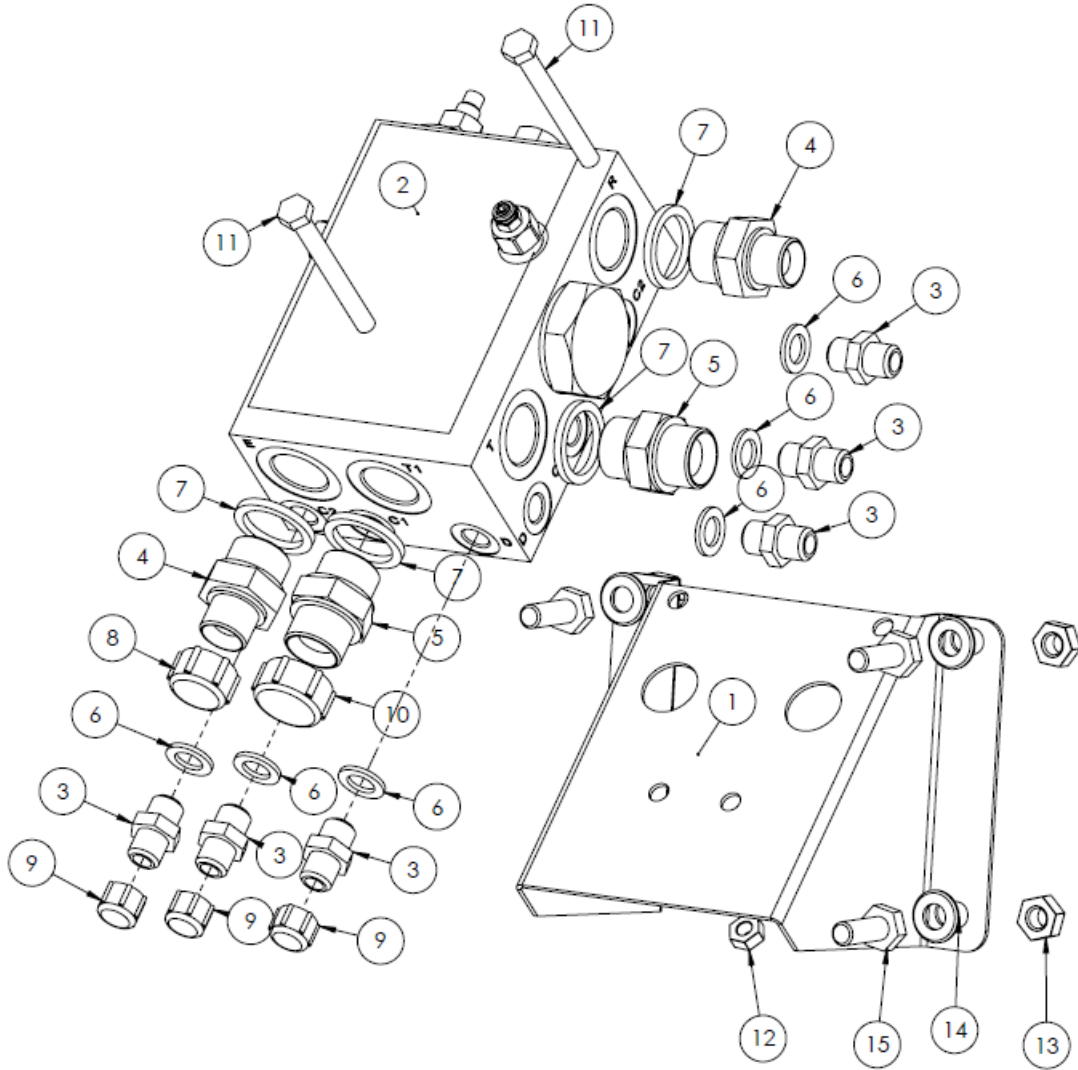
ITEM NO.	PART NUMBER	DESCRIPTION	QTY.
1	8290027	Ram	1
2	6703003	Bounded seals	2
3	6703002	Nipple	2
4	8290011	Hose for Kip cyl.	2
5	8290020	Protection for hose	1

ADGT 1005 Hose



ITEM NO.	PART NUMBER	DESCRIPTION	QTY.
1	8290012	P1. Pressurehose	1
2	8290013	D1. Drainhose	1
3	8290014	T1. Returnhose	1
4	8290019	Protection for hose 120/Ø75	1

ADGT 1006 Splitter valve



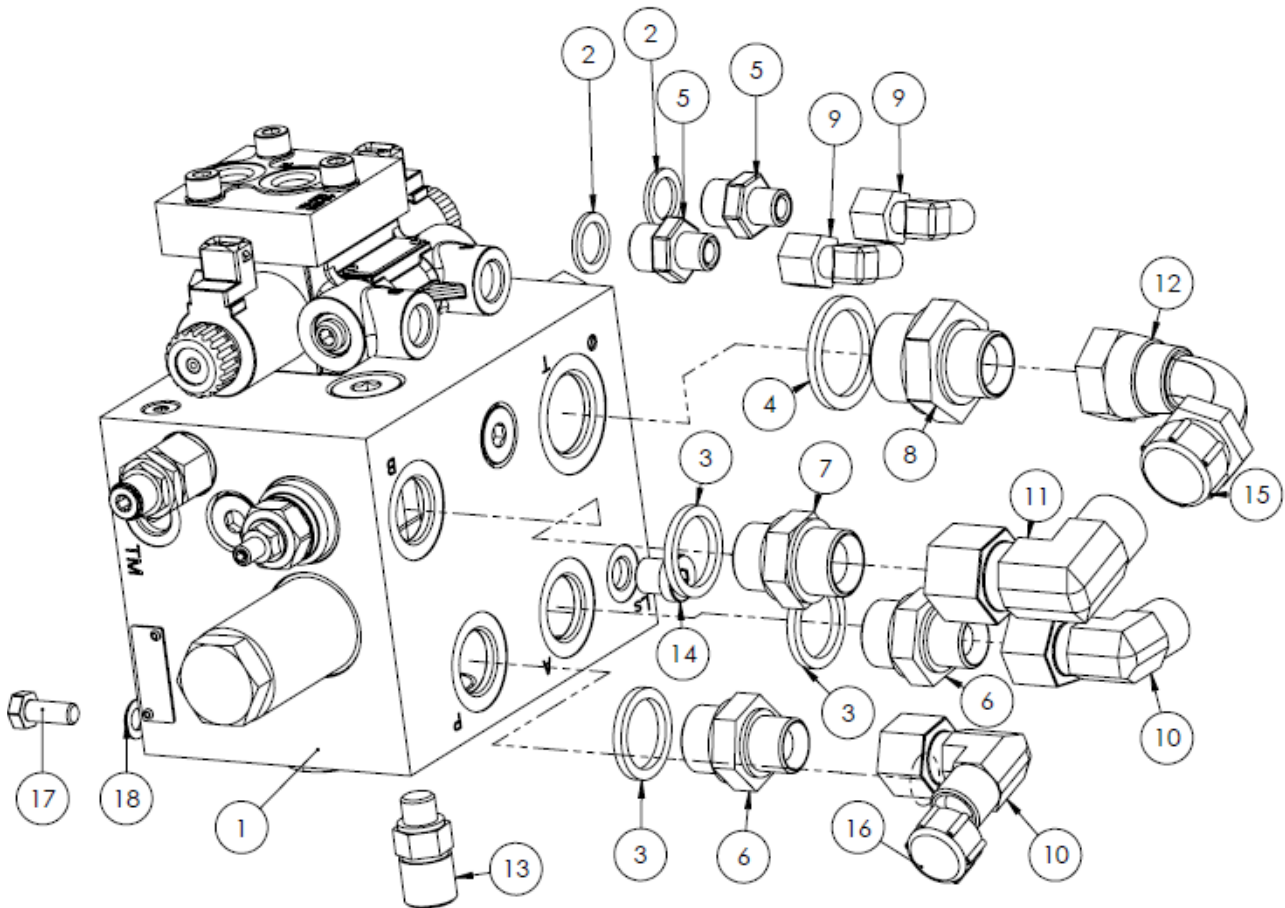
ITEM NO.	PART NUMBER	DESCRIPTION	QTY.
1	8351506	Bracket	1
2	6703014-40	Flowregulator	1
3	8290032	Nipple	5
4	8283010	Nipple	2
5	6703024	Nipple	2
6	8143005	Bounded seals	6
7	6703010	Bounded seals	4
8	R12	Plug	1
9	R14	Plug	3
10	R34	Plug	1
11	8352001	Bolt	2
12	2770416	Nut	2
13	2770412	Lock Nut	4
14	8362011	Washer	2
15	200109.0	Bolt	4

Controlbox with cable



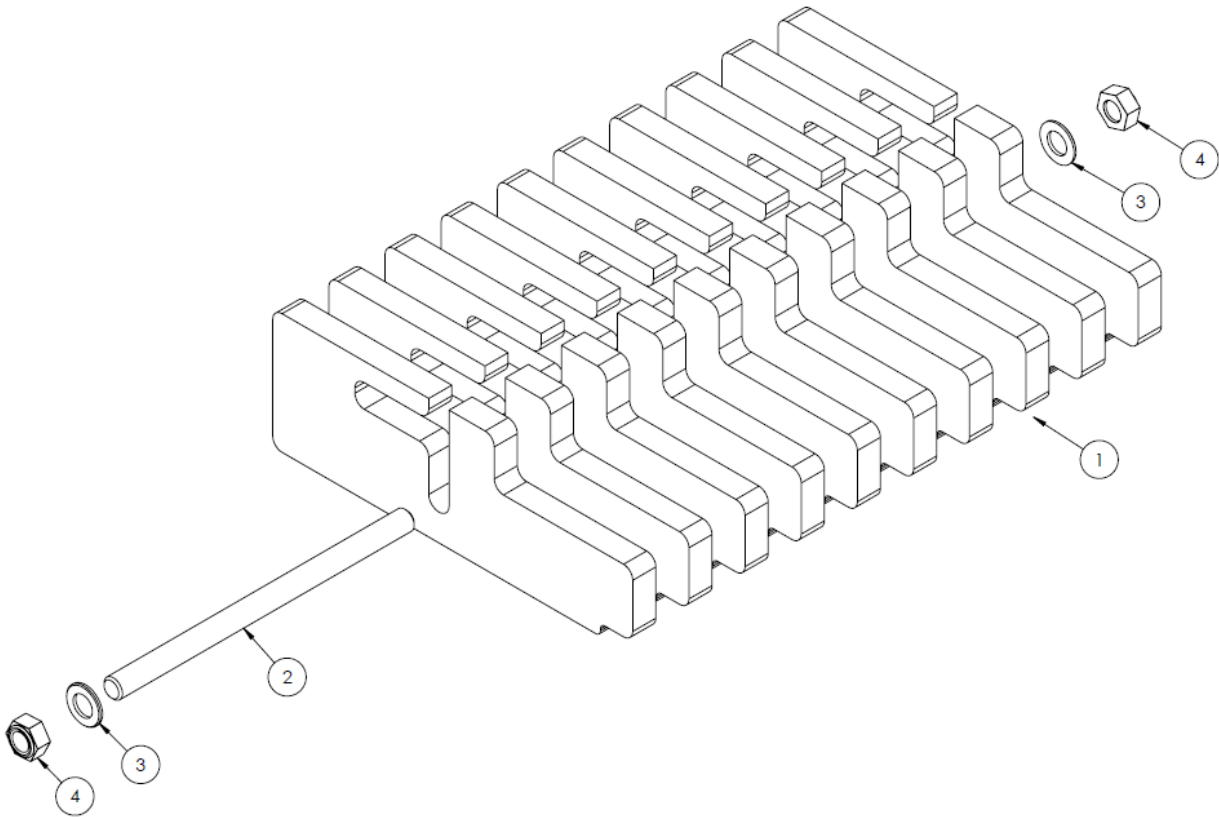
ITEM NO	PART NUMBER	DESCRIPTION	QTY
1	6708004	Controlbox W/10Mtr Cabel	1
2	6708003	Cable for valve	1
NS	6708004.2	Extension cabel 6Mtr.	1

ADGT 1004 EL-valve (Option)



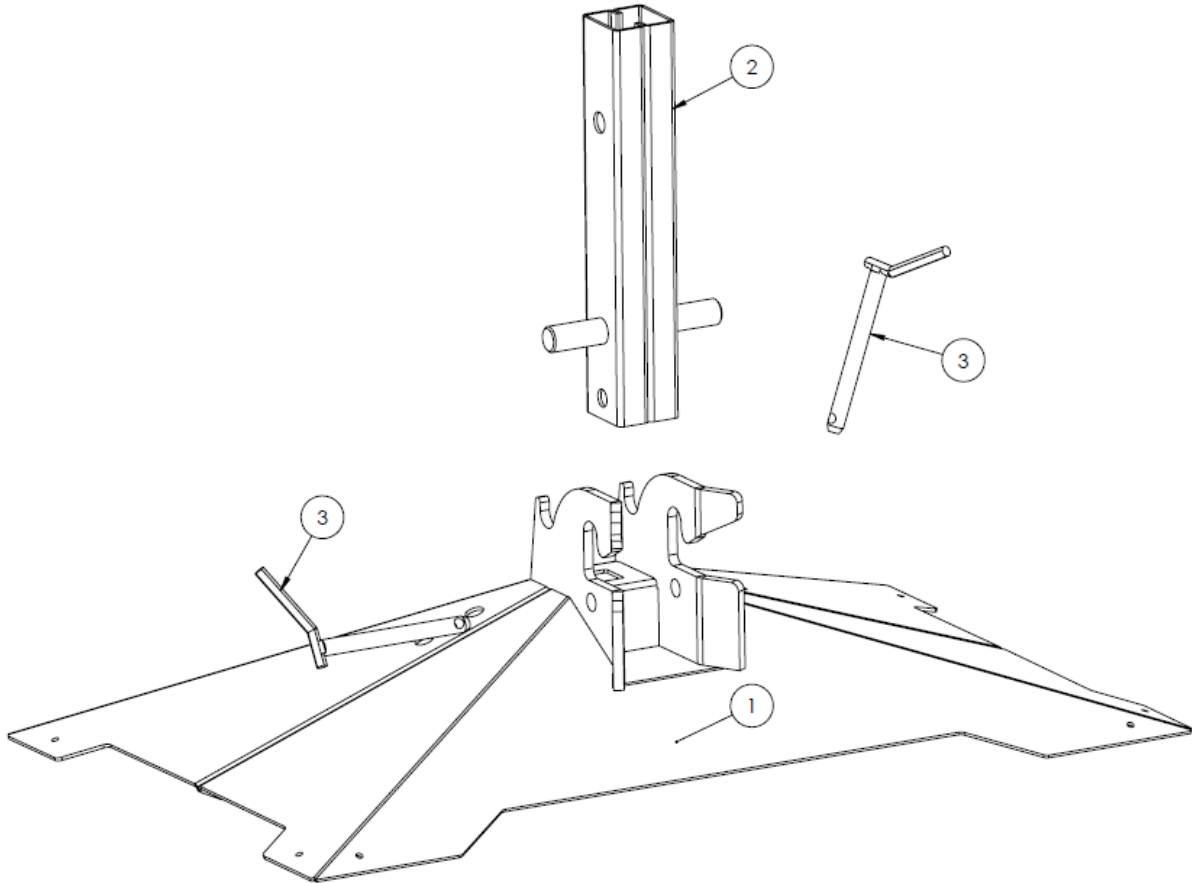
ITEM NO.	PART NUMBER	DESCRIPTION	QTY.
1	8290033	Valveblock	1
2	6703003	Bounded seals	2
3	8283011	Bounded seals	3
4	8290034	Bounded seals	1
5	81823005	Nipple	2
6	8283010	Nipple	2
7	8283009	Nipple	1
8	8290035	Nipple	1
9	81823010	Vinkel	2
10	8290036	Vinkel	2
11	8290037	Vinkel	1
12	8283013	Bøjning	1
13	6703007	Testnipple	1
14	81823025	Stop plug	1
15	R34	Plug	1
16	R12	Plug	1
17	2770402	Bolt	2
18	8362011	Washer	2

ADGT 1007 Counterweight (Option)



ITEM NO.	PART NUMBER	DESCRIPTION	QTY.
1	8290015	Counterweight	9
2	8290016	Threaded rod 320*M20	1
3	2770517	Washer	11
4	2770409	Nut	2

ADGT 1008 Support leg (Option)



ITEM NO.	PART NUMBER	DESCRIPTION	QTY.
1	8290018	Support leg	1
2	8290017	Distance tube for support leg	1
3	8290051	Bolt with handle	2

Stickers



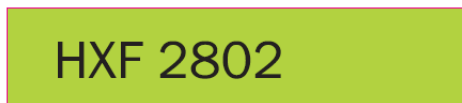
HXF2802 advarselmærker - 266 x 112 mm



8770322 Smørring - 50 x 24 mm



HXF2802 klistermærke top - 560 x 120 mm



HXF2802 klistermærke bund - 560 x 120 mm



8770296 - 45 x 112 mm



GreenTec_Påbudsmærker - 130 x 25 mm



Made in denmark - 50 x 16 mm

HXF2802 KITS

NO.	PART NUMBER	DESCRIPTION	QTY.
1	HXF2802KITS	Stickers cpl.	1



Merkurvej 25 | DK-6000 Kolding | Tel.: +45 75 55 36 44 | info@GreenTec.eu | www.GreenTec.eu

Cutting Edge Technology