

MULTI CARRIER

HXF 3302



PARTS

UK

5th Edition 2016

 **GREENTEC**

Cutting Edge Technology

IMPORTANT INFORMATION**GreenTec HXF 3302 AHS****PARTS****5th Edition – October 2016**

NOTICE: Please ensure that this manual is handed to the operator before using the machine for the first time. If the machine is resold the Parts list must be given to the new owner!

The information contained in this Parts list is correct at the time of publication. However, in the course of constant development, changes in specification are inevitable. Should you find the information given in this book different to the machine it relates to please contact the “After Sales Department” for advice.



CONTENTS

Contents

CONTENTS	4
INTRODUCTION	5
USEFUL INFORMATION	6
ORDERING PARTS	7
SPARE PARTS	8
Arm system	8
Head angle ram	10
Splitter valve	11
Controlbox with cable.....	12
Break-Back ram	13
Accumulator	14
Easy Pilot controls	15
Stickers	16

INTRODUCTION

Dear customer!

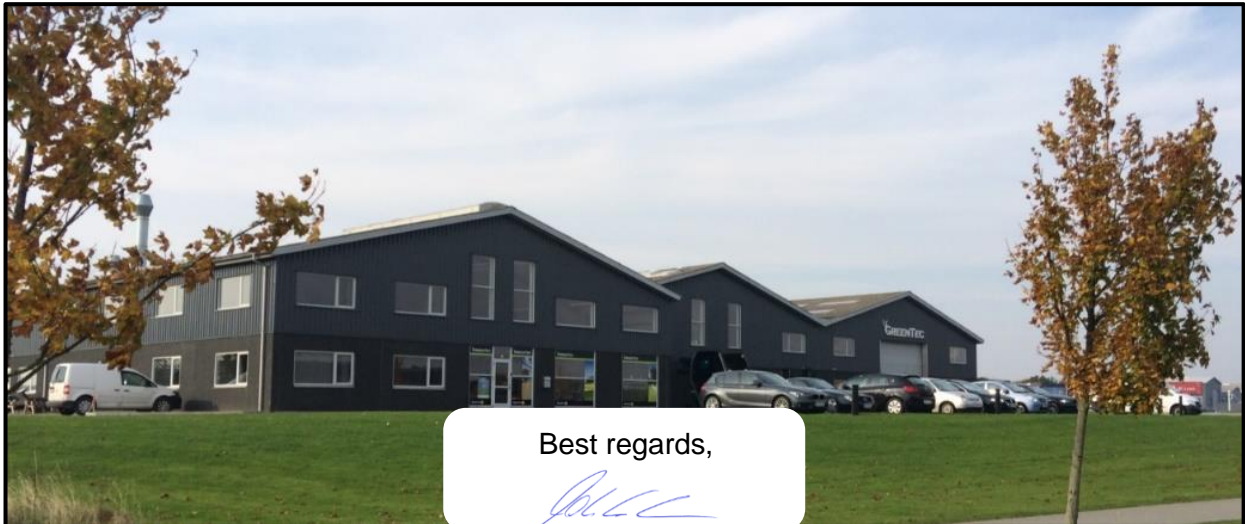
Your new Greentec machine is constructed with background in more than 20 years experience with tractor mounted machines to maintenance of green areas. This machine is produced by the latest technology and recognized safety regulations, standards and regulations.

We want to make a product available in such a way, that neither the use of the machine during transportation or maintenance of the machine causes any damage or misunderstandings.

This parts list contains information that are important and useful for maintaining your Greentec machine's reliability, dependability and value.

You are welcome to visit our website www.greentec.eu - where the login via the dealer's access gives you the latest updates on instructional and part books on our entire product range.

We hope, you will be pleased with your new Greentec machine.



Best regards,



John Christensen
Sales Director Greentec A/S

Greentec's vision is to develop and sell quality machines for the maintenance of green areas, including in agriculture, in industry, at airports and in the local sector. Through innovative product development, we will strive to become a leader in our field.

All machines are developed in a simple and functional design in close cooperation with dealers and end users. It is our goal to cover every need in the market segment with preferably 2 different solutions. In-depth analysis of requirements and serious advice to the customer is offered the best solution, where individual needs can be met through the modularity of the product program. Our goal is also to offer the best possible after sales service, and a quick and efficient spare parts supply.

USEFUL INFORMATION

Before using the machine for the first time, it's the seller's responsibility that the buyer is given this parts list. If the machine is resold, the parts list must be transferred to the new owner.

Please fill out the list below to ensure that the necessary information is at hand when ordering spare parts etc.

Serial No

Delivery date

Dealer

Tel./ E-mail



Merkurvej 25
DK 6000 Kolding
Danmark

Tel: +45 75553644

Fax: +45 75554243

Email: info@greentec.eu

web: www.greentec.eu

Opening hours: Mon-Fri 8-16

ORDERING PARTS

When ordering parts please refer to your parts list to help your dealer with your order.

- Part number and quantity
- Description
- Machine model number
- Serial number of the machine
- Delivery instructions (e.g. next day).

Delivery is normally via carrier direct to your dealer. Please check with your dealer for stock availability and arrangement of dispatch. Ensure you or your dealer has sufficient cover for parts requirement outside factory hours.

Important Note

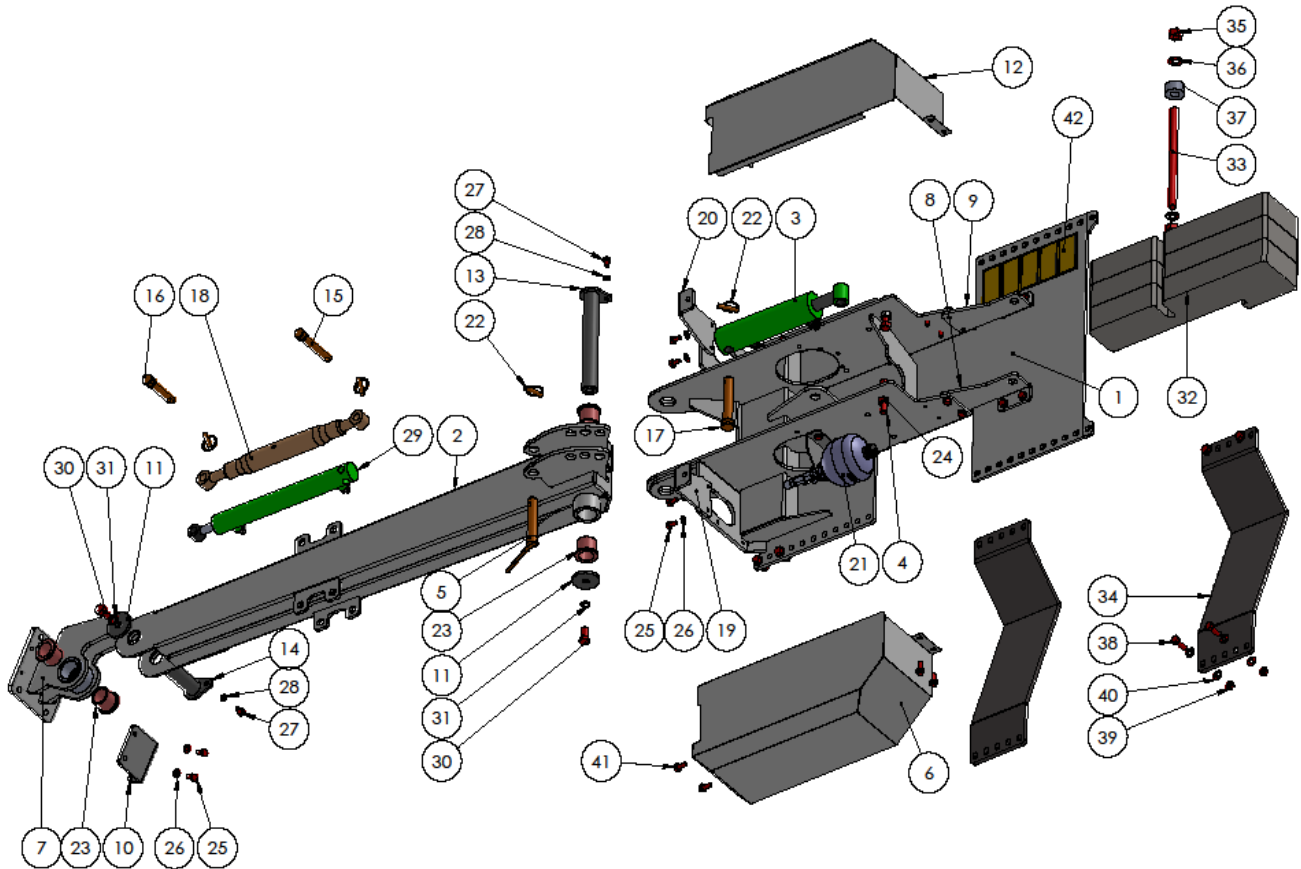
The information contained in this manual is correct at the time of publication. However, in the course of constant development, changes in specification are inevitable. Should you find the information given in this book different to the machine it relates to, please contact the "After Sales Department" for advice.

Key:

(LH)	=	Left hand
(RH)	=	Right hand

SPARE PARTS

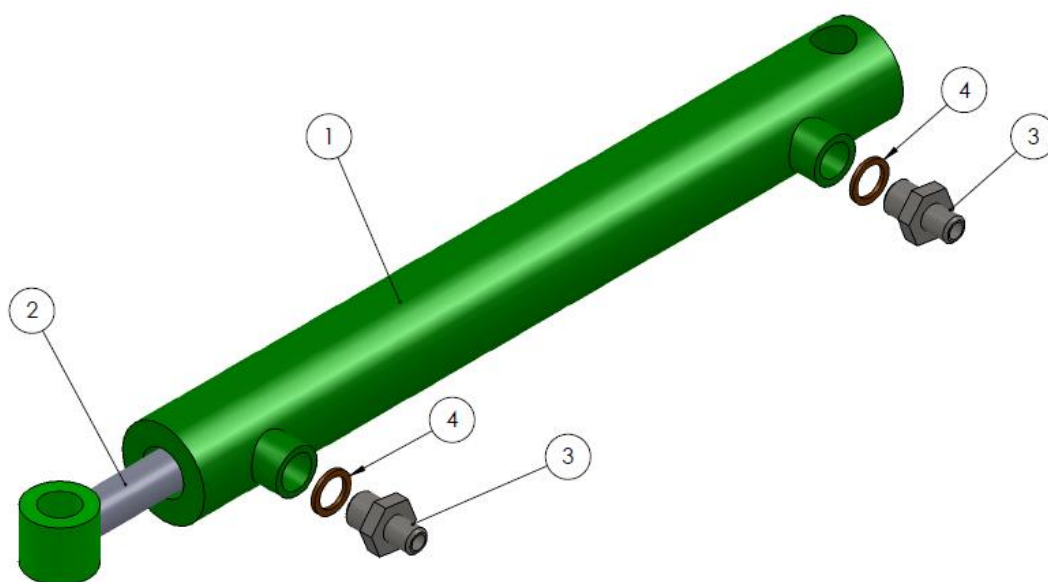
Arm system



NO.	PART NUMBER	DESCRIPTION	QTY.
1	8351501	Main frame	1
2	8351500	Arm	1
3		See "Break-back ram"	1
4	8352001	Support bolt	3
5	6706003	Pin with handle for break-back ram	1
6	8351004	Lid	1
7	8351502	Head crowd bracket	1

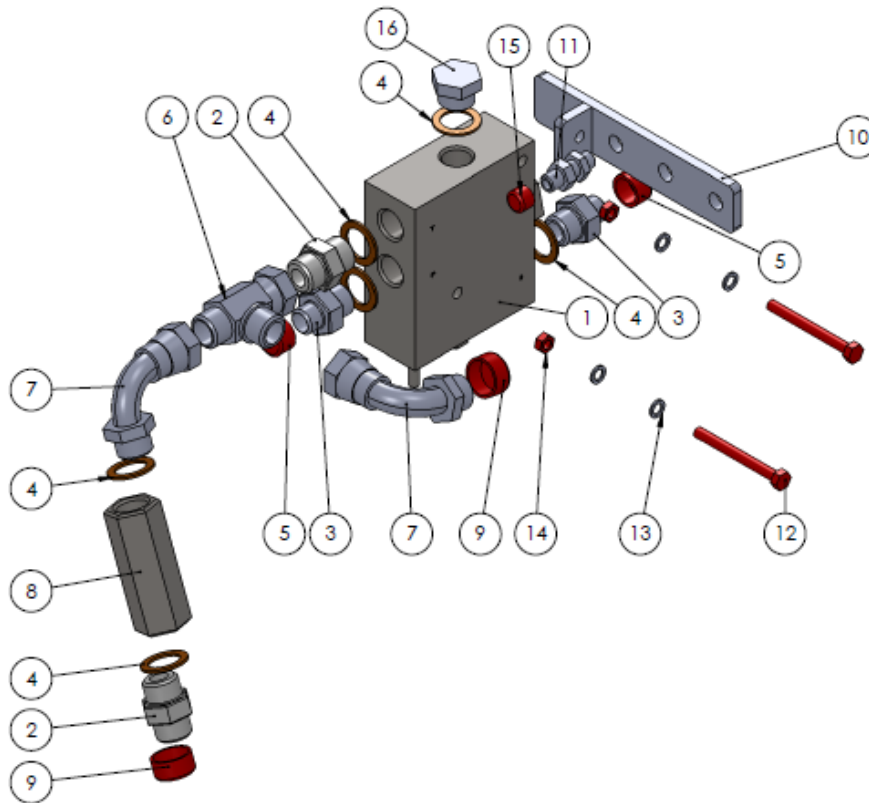
8	8351001	Reinforcement part	1
9	8351002	Reinforcement part (Mirror of item 8)	1
10	8351005	Leg for arm	1
11	8351006	Washer HD	2
12	8351007	Lid (Mirror of item 6)	1
13	8351503	Pin for arm	1
14	8351504	Pin for head crowd bracket	1
15	6310202A	Pin for top link / head angle ram (long)	1
16	6310202	Pin for top link / head angle ram (short)	1
17	8356001	Pin for break-back ram	1
18	8286003	Top link Kat 1/1	1
19	8351008	Leg for main frame	1
20	8351009	Leg for main frame (Mirror of item 19)	1
21		See "Accumulator"	1
22	6706004	Lynch pin	4
23	8354001	Flange bush	4
24	2770449	Nut M16	3
25	8222002	Bolt M10x20	14
26	2770436	Washer	14
27	8142002	Bolt M10x16	2
28	8222003	Spring Washer M10	2
29		See "Head angle Ram" (Option)	1
30	8222012	Bolt M16x30	2
31	8222013	Spring Washer M16	2
32	8351010	Counterweight (Option)	3
33	8352002	Bolt M20x300 (Option)	1
34	8351003	Angled plate for attachment	2
35	2770409	Lock Nut M20	2
36	2770517	Facet washer M20	2
37	8351012	Steel bush	1
38	8362006	Bolt M12x40	8
39	8362005	Lock nut M12	8
40	2770434	Washer M12	16
41	200104.0	Screw	8
42		See "Stickers"	1

Head angle ram



NO.	PART NUMBER	DESCRIPTION	QTY.
1	8283007	Head angle ram	1
3	6703002	Adapter with restrictor	2
4	6703003	Seal 3/8"	2

Splitter valve



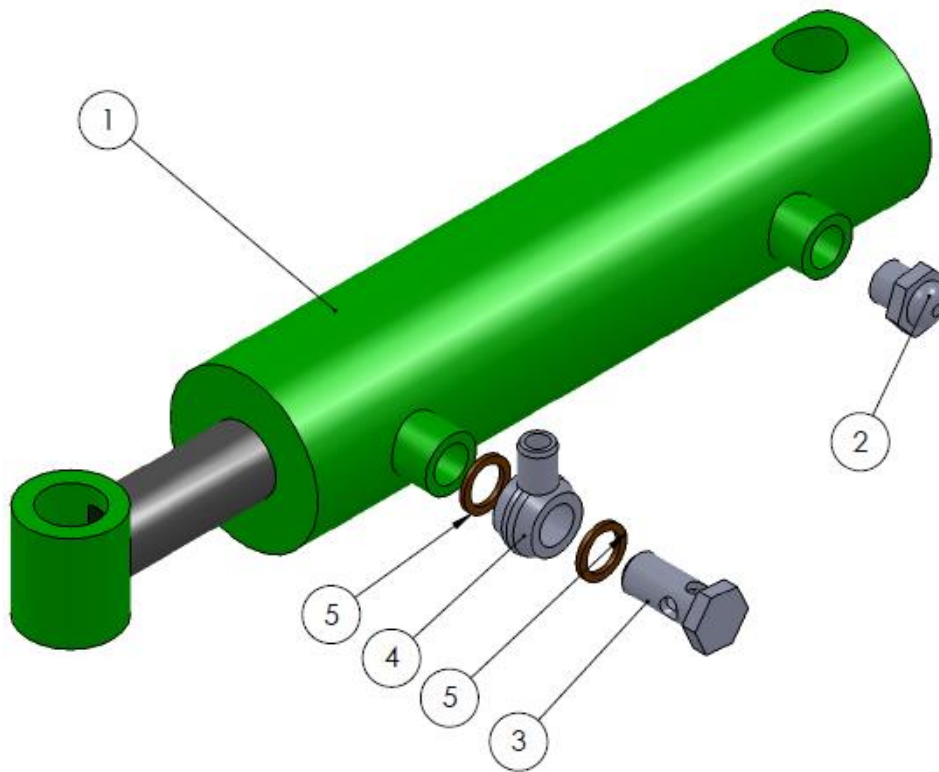
NO.	PART NUMBER	DESCRIPTION	QTY.
1	8283008	Splitter valve (Not adjusted)	1
2	8283009	Adapter 3/4"	2
3	8283010	Adapter 3/4" – 1/2"	2
4	8283011	Seal 3/4"	6
5		Plastic 1/2 "	2
6	8283012	T-un-even 3/4"	1
7	8283013	Angle 90° 3/4"	2
8	8283014	Check valve 0,5 bar 3/4"	1
9		Plastic cap 3/4 "	2
10	8281501	Hose bracket	1
11	8283015	Adapter with counter nut	1
12	8222002	Bolt	2
13	2770456	Washer	4
14	2770416	Nut	2
15		Plastic 1/4 "	1
16	8283016	Dead end adapter	1

Controlbox with cable



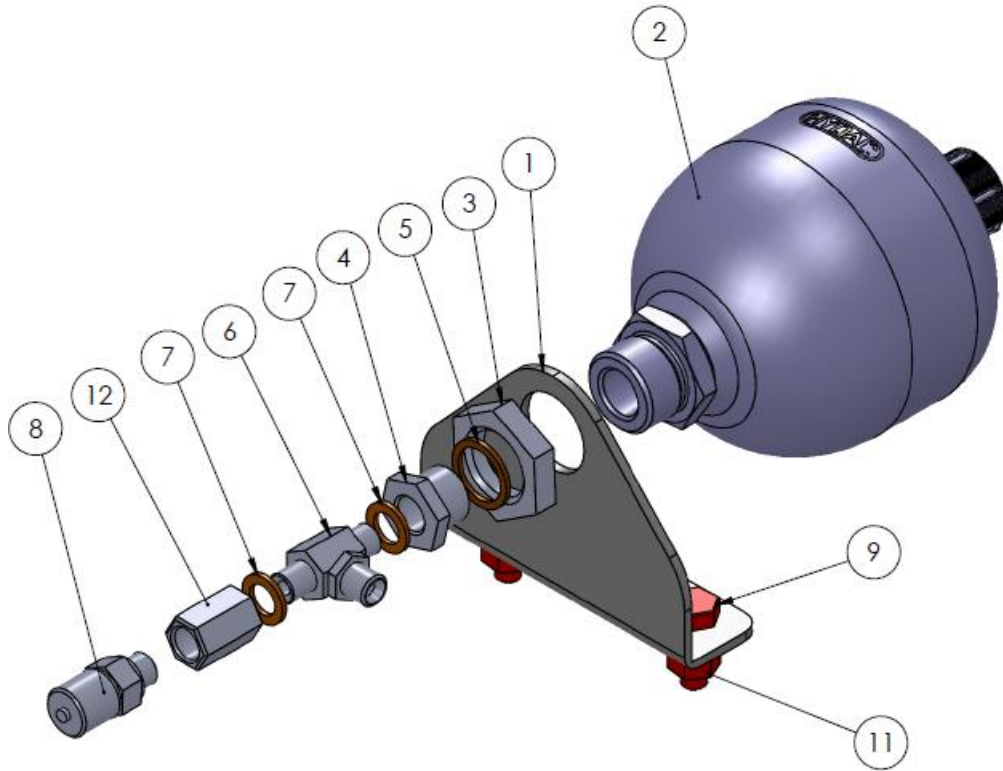
ITEM NO	PART NUMBER	DESCRIPTION	QTY
1	6708004	Controlbox	1
2	6708003	Cable for valve	1
NS	6708004.2	Extension cabel 6Mtr	1

Break-Back ram



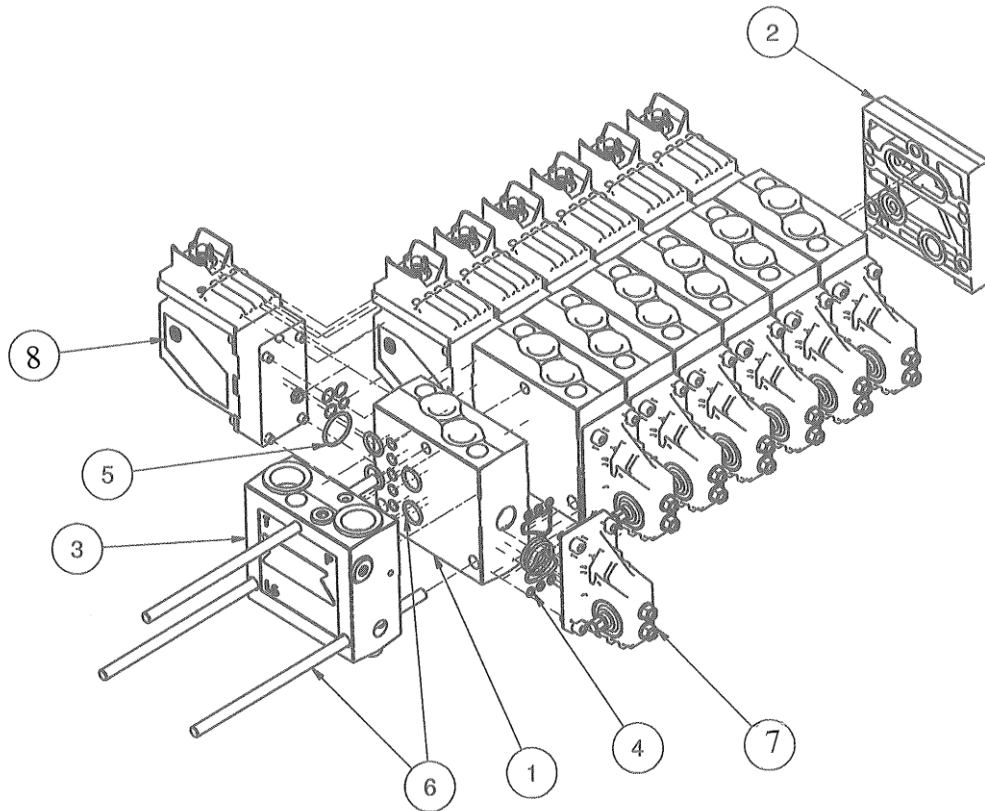
NO.	PART NUMBER	DESCRIPTION	QTY.
1	8283017	Break-Back ram	1
2	6703013	Breather 3/8"	1
3	6703012	Banjo bolt 3/8"	1
4	6703011	Banjo 3/8"	1
5	6703003	Seal 3/8"	2

Accumulator



NO.	PART NUMBER	DESCRIPTION	QTY.
1	8351011	Bracket	1
2	6703005	Accumulator	1
3	6702005	Nut M33	1
4	6703009	Reduction 1/2" - 1/4"	1
5	6703010	Seal 1/2"	1
6	6703006	T-adaptor 1/4"	1
7	8143005	Seal 1/4"	2
8	6703007	Mini-Mesh	1
9	8222006	Bolt M10x30	2
10	2770436	Facet washer M10	2
11	2770412	Nut M10	2
12	6703008	Adapter female 1/4"	1

Easy Pilot controls



No.	PART NUMBER	DESCRIPTION	QTY.
1	157B6709	Priority module <i>(no. is stamped in one end)</i>	1
	157B6200	Motor module	1
	157B6100	Work tool module <i>(no. is stamped in one end)</i>	1
2	157B2018	End lid	1
3	157B5010	End lid – pressure <i>(no. is stamped in one end)</i>	1
4	157B3999	Seal kit for mechanical part	1
5	157B4997	Seal kit for electric part	1
6	157B8003	Seal kit <i>Sandwich (incl. bolt & nuts)</i>	1
7	157B3173	House for mechanical control Cpl. incl. Pos. 4	1
8	157B4216	Electric-module 12V incl. pos. 5	1
Following are not shown:			
	157B7000	Spool DA 10 L	
	157B7103	Spool DA 65 L open	

Stickers



HXF3302 advarselmærker - 266 x 112 mm



8770322 Smøring - 50 x 24 mm



HXF3302 klistermærke top - 545 x 115 mm



8770296 - 45 x 112 mm



GreenTec_Påbudmærker - 130 x 25 mm



HXF3302 klistermærke bund - 545 x 115 mm



Made in denmark - 50 x 16 mm

HXF3302 KITS

NO.	PART NUMBER	DESCRIPTION	QTY.
1	HXF3302KITS	Sticker kit Cpl	1



Merkurvej 25 | DK-6000 Kolding | Tel.: +45 75 55 36 44 | info@GreenTec.eu | www.GreenTec.eu

Cutting Edge Technology