

QUADSAW

LRS 2002



PARTS

UK

4th edition 2019

 **GREENTEC**

Cutting Edge Technology

IMPORTANT INFORMATION

GreenTec LRS 2002

PARTS

4. Edition – Januar 2019

Please ensure that this manual is handed to the operator before using the machine for the first time.

If the machine is resold the Parts list must be given to the new owner!

The information contained in this Parts list is correct at the time of publication. However, in the course of constant development, changes in specification are inevitable. Should you find the information given in this book different to the machine it relates to please contact the "After Sales Department" for advice



© GreenTec A/S Machinery Limited 2016

CONTENTS

CONTENTS	4
USEFUL INFORMATION	6
ORDERING PARTS	7
SPARE PARTS	8
Blade shaft	10
Option Bladerotor kpl. OPTE 4226	11
Primary tensioning system	12
Secondary tensioning system	13
Motor	14
Transfers	15
Piston motor info	16

INTRODUCTION

Dear customer!

Your new GreenTec machine is constructed with background in more than 20 years experience with tractor mounted machines to maintenance of green areas. This machine is produced by the latest technology and recognized safety regulations, standards and regulations.

We want to make a product available in such a way, that neither the use of the machine during transportation or maintenance of the machine causes any damage or misunderstandings.

This parts list contains information that are important and useful for maintaining your GreenTec machine's reliability, dependability and value.

You are welcome to visit our website www.greentec.eu - where the login via the dealer's access gives you the latest updates on instructional and part books on our entire product range.

We hope, you will be pleased with your new GreenTec machine.



Best regards,



John Christensen
Sales Director GreenTec A/S

GreenTec's vision is to develop and sell quality machines for the maintenance of green areas, including in agriculture, in industry, at airports and in the local sector. Through innovative product development, we will strive to become a leader in our field.

All machines are developed in a simple and functional design in close cooperation with dealers and end users. It is our goal to cover every need in the market segment with preferably 2 different solutions. In-depth analysis of requirements and serious advice to the customer is offered the best solution, where individual needs can be met through the modularity of the product program.

Our goal is also to offer the best possible after sales service, and a quick and efficient spare parts supply.

USEFUL INFORMATION

Before using the machine for the first time, it's the seller's responsibility that the buyer is given this parts list. If the machine is resold, the parts list must be transferred to the new owner.

Please fill out the list below to ensure that the necessary information is at hand when ordering spare parts etc.

Serial No

Delivery date

Dealer

E-mail

Tel.



Merkurvej 25
DK 6000 Kolding
Denmark
Tel: +45 75553644
Email: info@greentec.eu
web: www.greentec.eu
Opening hours: Mon-Fri 8-16

ORDERING PARTS

When ordering parts please refer to your parts list to help your dealer with your order.

- Part number and quantity
- Description
- Machine model number
- Serial number of the machine
- Delivery instructions (e.g. next day).

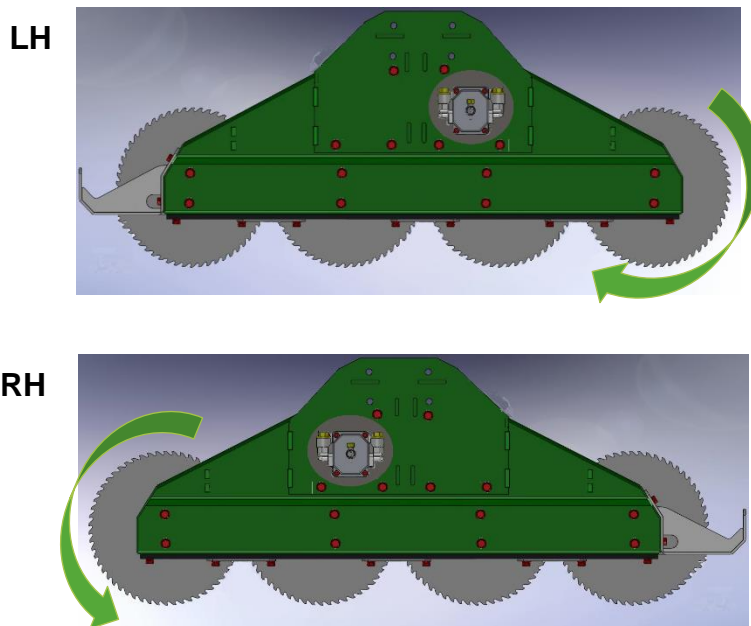
Delivery is normally via carrier direct to your dealer. Please check with your dealer for stock availability and arrangement of dispatch. Ensure you or your dealer has sufficient cover for parts requirement outside factory hours.

Important Note

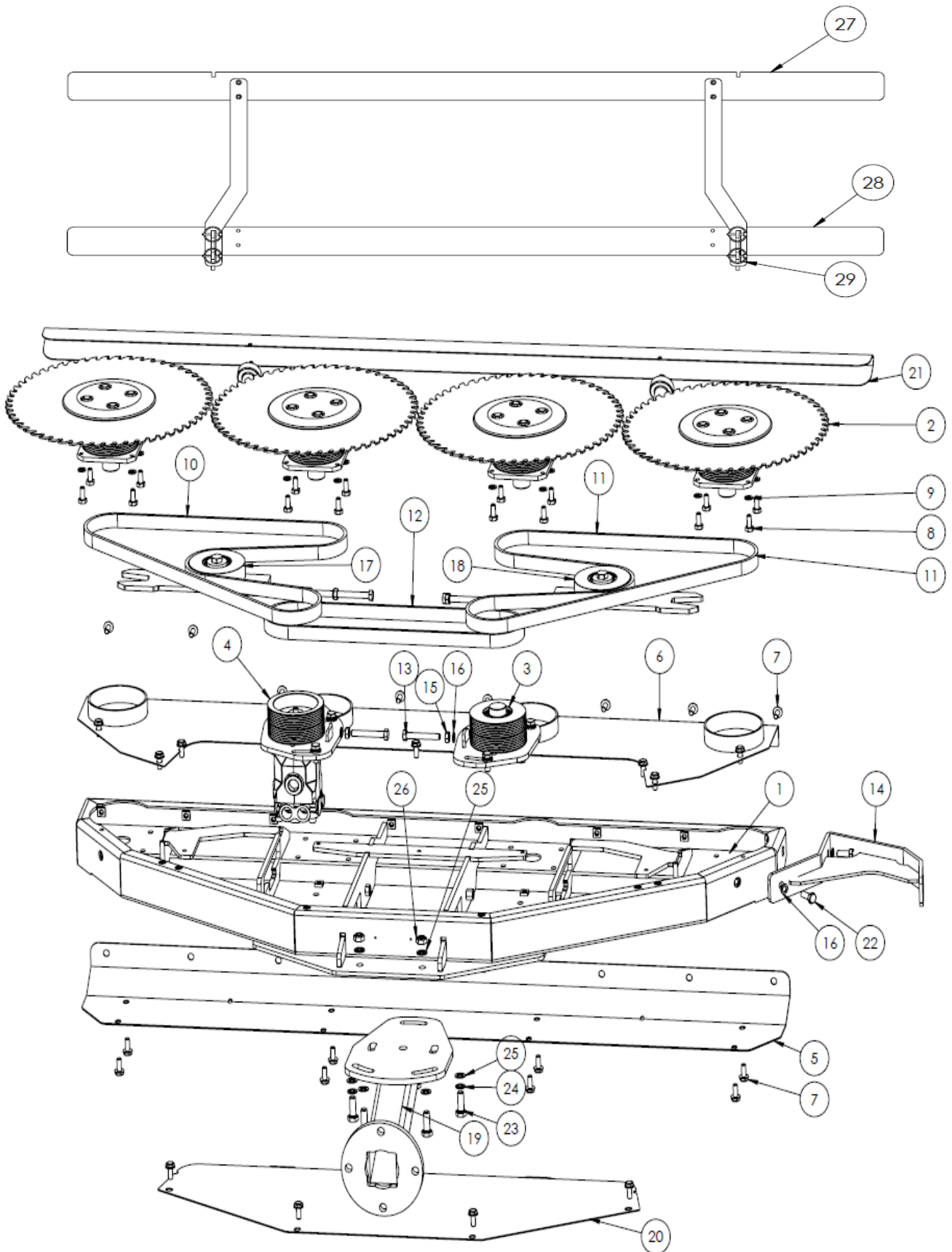
The information contained in this manual is correct at the time of publication. However, in the course of constant development, changes in specification are inevitable. Should you find the information given in this book different to the machine it relates to, please contact the “After Sales Department” for advice.

Key:

(LH) = Left hand saw
(RH) = Right hand saw

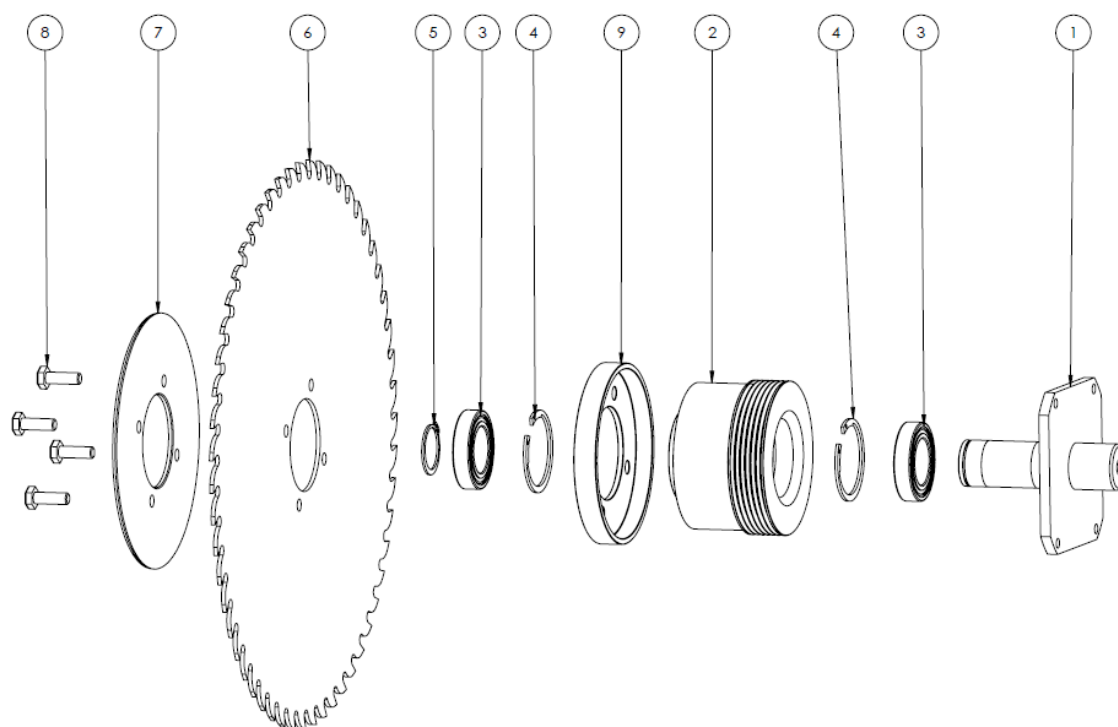


SPARE PARTS
Main frame



ITEM NO.	PART NUMBER	DESCRIPTION	QTY.
1	8221500	Main frame (Painted in black)	1
2		See section "Blade shaft"	4
3		See section "Primary tensioning system"	1
4		See section " Motor"	1
5	8221000	Top cover	1
6	8221501	Lower cover	1
7	200104.0	Bolt M10x20	29
8	8222002	Bolt M10x25	16
9	8222003	Lock washer M10	16
10+11	8224001	Belts	2
12	200141.0	Belt for motor	1
13	8222017	Adjuster bolt M12x90	2
14	8221502	Skid	1
15	2770536	Nut M12	2
16	8222005	Lock washer M12	4
17		See section "Secondary tensioning system"	1
18		See section "Secondary tensioning system"	1
19	8221503	Adapter for "Spearhead Twiga"	1
20	8221001	Inspection lid	1
21	8221504	Transport protection (until ultimo September 2019)	1
Not shown	8758005	Handle for transport protection (until ultimo September 2019)	2
22	8222006	Bolt M12x30	2
23	8222007	Bolt M14x40	5
24	8222008	Lock washer M14	3
25	8222009	Facet washer M14	7
26	1061042	Lock nut M14	2
27	8278002	Cover (use from primo oktober 2019)	1
28	8278003	Transport protection (from primo oktober 2019)	1
29	00.372.01	Split	4

Blade shaft



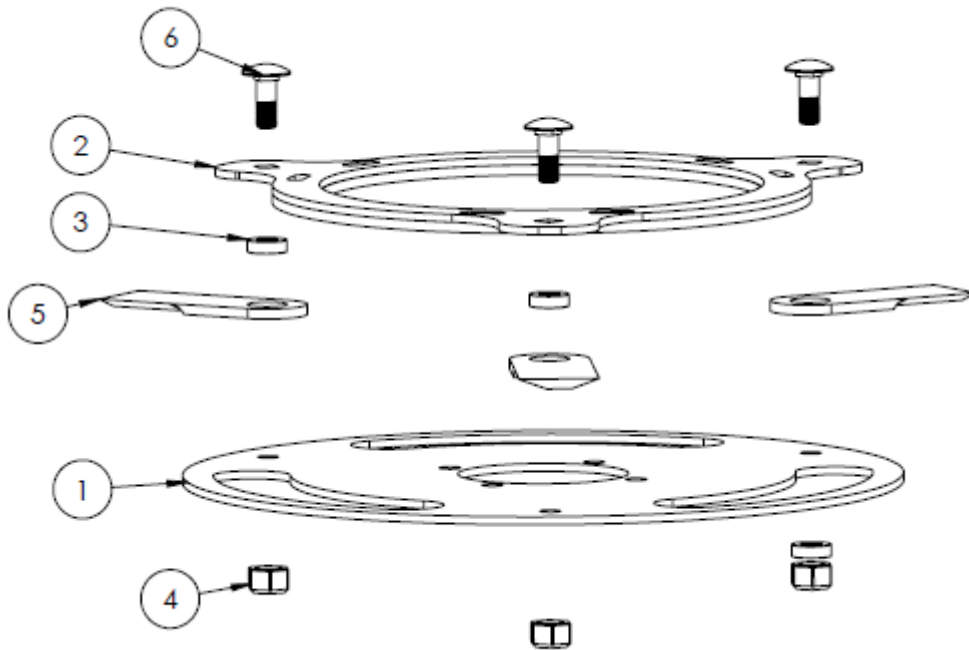
ITEM NO.	PART NUMBER	DESCRIPTION	*QTY.
1	8221505	Axle	1
2	8221002	Pulley	1
3	8224002	Bearing	2
4	2771110	Locking ring	2
5	240121.0	Locking ring	1
6	8227001	Saw blade Ø490	1
Not shown	200111K	Wooden transportbox for 4 Sawblades	1
7	8221003	Mounting plate	1
8	8222010	Bolt M10x30	4
9	8221004	Dust plate	1

*Qty. er antal forbrug pr. aksel.

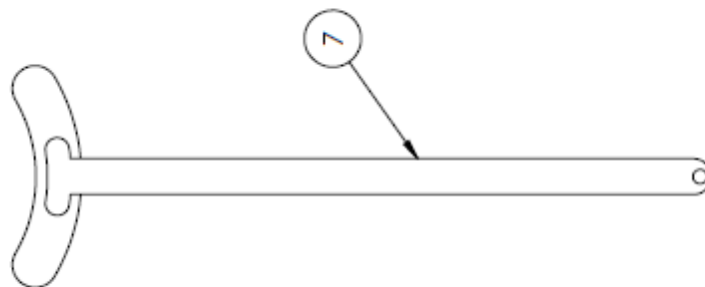
*Qty. ist Anzahl an jeder Welle.

*Qty. is no. for each Shaft

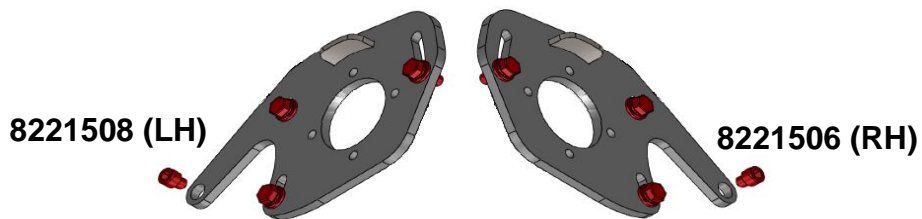
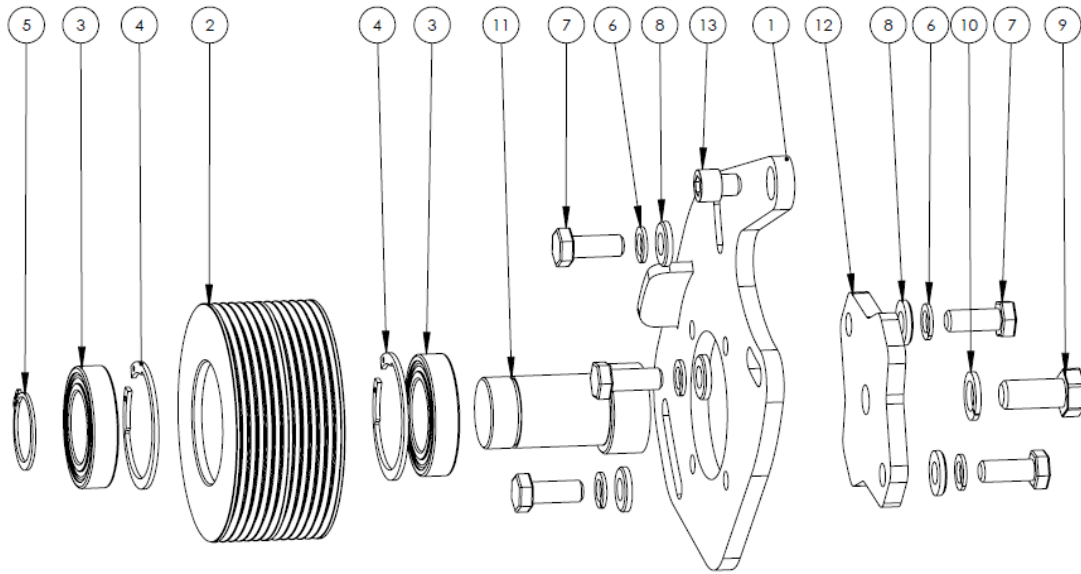
Option Bladerotor kpl. OPTE 4226



ITEM NO.	PART NUMBER	DESCRIPTION	QTY.
1	8177004	Lower rotorplate	1
2	8177005	Upper blade carrier	1
3	8021010	Blade bush	3
4	8622003	Lock nut	3
5	8027001	Blade	3
6	8022002	Blade bolt	3
7	8621507	Tool for blade change	1

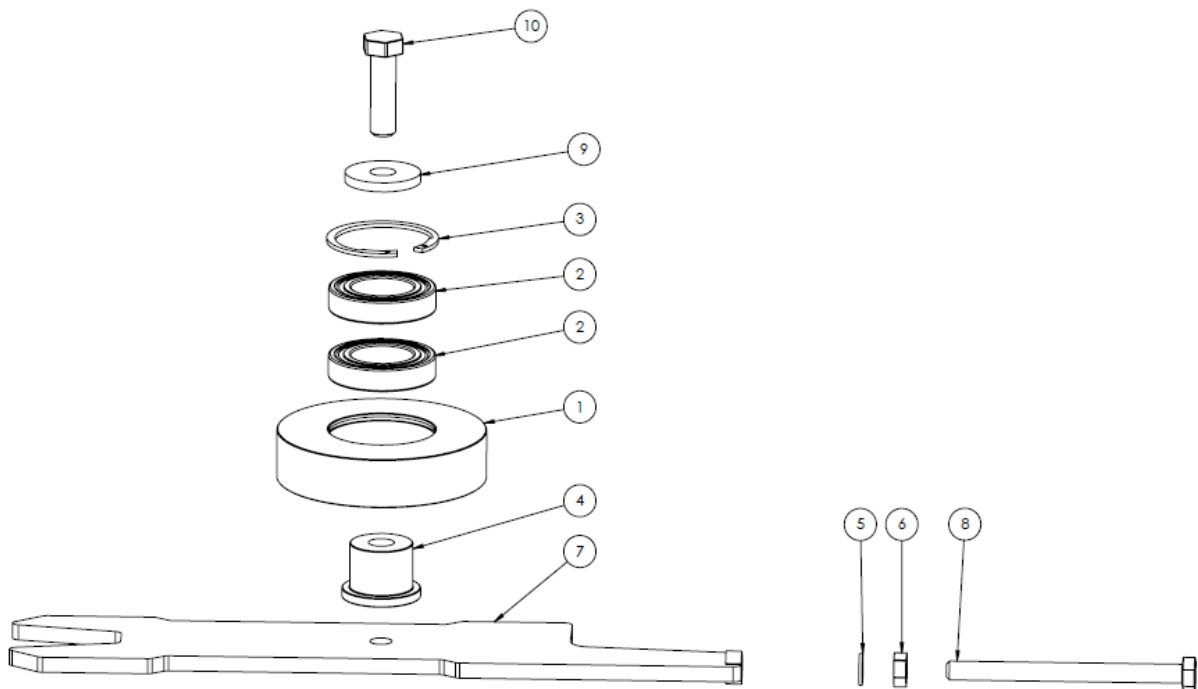


Primary tensioning system



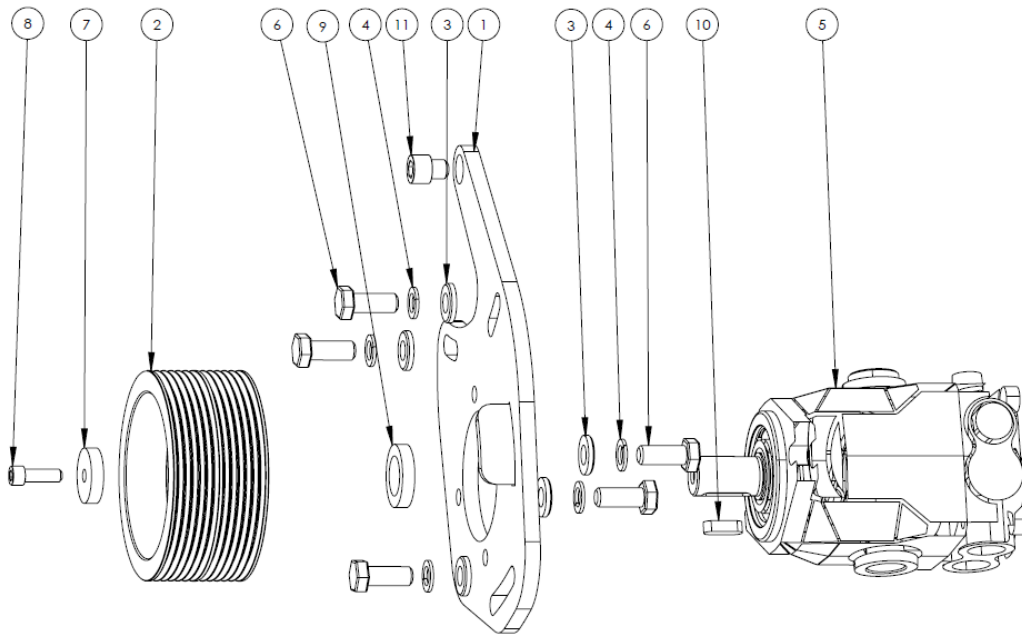
ITEM NO.	PART NUMBER	DESCRIPTION	QTY.
1	8221506	Adjuster plate RH. See drawing	1
1	8221508	Adjuster plate LH. See drawing	1
2	8221005	Pulley	1
3	8224002	Bearing	2
4	2771110	Locking ring	2
5	240121.0	Locking ring	1
6	8222005	Lock washer	5
7	8222006	Bolt M12x30	5
8	8222011	HD washer M12	5
9	8222012	Bolt M16x35	1
10	8222013	Lock washer M16	1
11	8221006	Shaft / Axle	1
12	8221007	Blanking cover	1
13	8222014	Bolt M12x16	1
Not shown	200155.0	Tool for belt tension control. "Optikrik II"	1

Secondary tensioning system

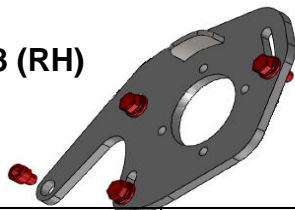


ITEM NO.	PART NUMBER	DESCRIPTION	QTY.
1	8221008	Tensioner wheel	1
2	8224002	Bearing	2
3	2771110	Locking ring	1
4	8221009	Shaft	1
5	8222005	Lock washer M12	1
6	2770536	Nut M12	1
7	8221507	Adjuster fork	1
8	8222015	Adjuster bolt M12x150	1
9	8221010	Washer HD	1
10	8222016	Bolt M16x55	1

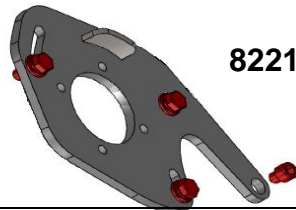
Motor



8221508 (RH)



8221506 (LH)



ITEM NO.	PART NUMBER	DESCRIPTION	QTY.
1	8221508	Adjuster plate RH. See drawing	1
1	8221506	Adjuster plate LH. See drawing	1
2	8221011	Pulley	1
3	8222011	HD washer M12	5
4	8222005	Lock washer	5
5	200231.0	Motor 28 cc.	1
5	200230.0	Motor 15 cc.	1
5	200230.1	Motor 15 cc (only for HXF mount 50L)	1
Not shown	200230A	Shaft sealkit for piston motor	1
	200230B	Sealkit cpl.	1
	200230C	Shaft repair kit with bearing + 200230A	1
6	8222006	Bolt M12x30	5
7	200138.0	Pulley washer	1
8	200139.0	Bolt M8x25	1
9	8221012	Distance ring	1
10	200234.0	Key	1
11	8222014	Bolt M12x16	1

Transfers



LRS2002 advarselsmærker - 500 x 75 mm



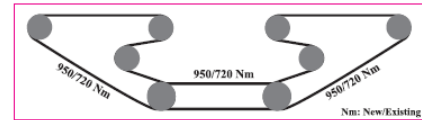
LRS2002 advarselsmærker2 - 500 x 75 mm



LRS2002 klistermærke_top - 265 x 130 mm



LRS2002 klistermærke_top - 265 x 130 mm



LRS2002 infomærke - 170 x 48 mm



GreenTec_påbudsmærker - 130 x 25 mm



LRS2002 klistermærke_bund - 265 x 130 mm



LRS2002 klistermærke_bund - 265 x 130 mm



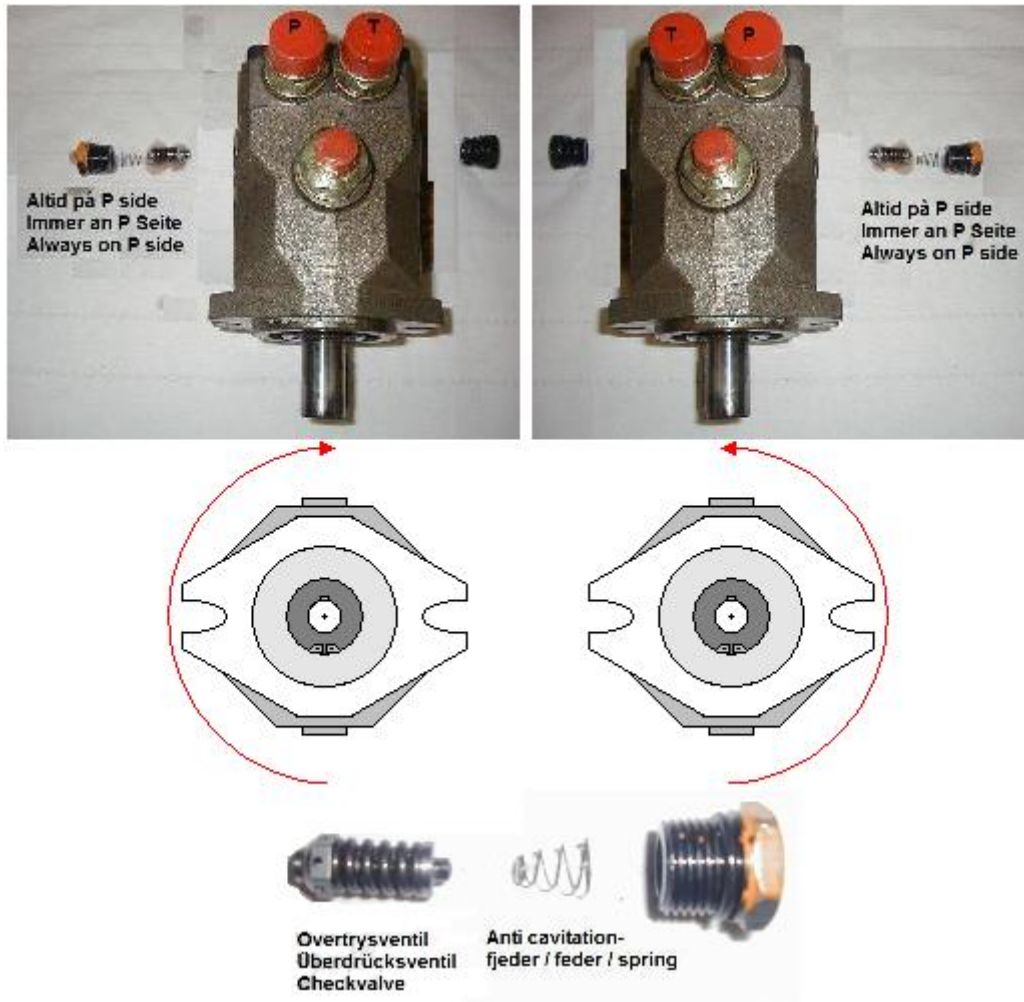
Made in denmark - 50 x 16 mm

LRS2002 KITS

ITEM NO.	PART NUMBER	DESCRIPTION	QTY.
1	LRS2002KITS	Transfers cpl. kit	1

Piston motor info

Motor som reservedel / Motor als Ersatzteil / Motor as sparepart



DK: Nye motorer leveres uden overtryksventil. Afmonter den fra tidligere motor. Monter den i samme side som den tidligere var monteret. På LRS save, mod midten. Udvis omhu ved montage. Brug IKKE luftværktøj.

HUSK !!!!! Spæd motor op med olie inden opstart. Ca. 1 dl.

D: Neue Motor wird geliefert ohne Überdrucksventil. Nehmen Sie es von Frühere Motor. Montieren Sie es von gleiche Seite als früher. An LRS Säge, Richtung Mitte. Achten Sie beim Einbau. Verwenden Sie KEINE Druckluft-Werkzeuge.

Achtung !!!!! Immer Motor mit Öl füllen bevor Start. Etwa. 1 dl.

GB: New motors is always delivered without reliefvalve. Use the one from earlier motor. Mount it in the same side as earlier. On Quadsaw, pointing against centre. Take care when mounting and, DO NOT use air tools.

Warning !!!!! Fill motor with oil before starting it. Roughly 1 dl.



Merkurvej 25 | DK-6000 Kolding | Tel.: +45 75 55 36 44 | info@GreenTec.eu | www.GreenTec.eu

Cutting Edge Technology