

BARRIER MOWER

RI 60 & 80



PARTS

UK

2.edition 2019

 **GREENTEC**

Cutting Edge Technology

GreenTec RI 60/80 Barrier mower

PARTS 2. Edition – May 2019

Please ensure that this manual is handed to the operator before using the machine for the first time.

If the machine is resold the Parts list must be given to the new owner!

The information contained in this Parts list is correct at the time of publication. However, in the course of constant development, changes in specification are inevitable. Should you find the information given in this book different to the machine it relates to please contact the “After Sales Department” for advice



Merkurvej 25
DK 6000 Kolding
Danmark
Tlf: +45 75553644
Fax: +45 75554243
Email: info@greentec.eu
http: www.greentec.eu

Contents

Contents	4
INTRODUCTION	5
USEFUL INFORMATION	6
ORDERING PARTS	7
SPARE PARTS	8
DIAGRAM.....	12
STICKERS.....	13

INTRODUCTION

Dear customer!

Your new Greentec machine is constructed with background in more than 20 years experience with tractor mounted machines to maintenance of green areas. This machine is produced by the latest technology and recognized safety regulations, standards and regulations.

We want to make a product available in such a way, that neither the use of the machine during transportation or maintenance of the machine causes any damage or misunderstandings.

This parts list contains information that are important and useful for maintaining your Greentec machine's reliability, dependability and value.

You are welcome to visit our website www.greentec.eu - where the login via the dealer's access gives you the latest updates on instructional and part books on our entire product range.

We hope, you will be pleased with your new Greentec machine.



Best regards,



John Christensen
Sales Director Greentec A/S

Greentec's vision is to develop and sell quality machines for the maintenance of green areas, including in agriculture, in industry, at airports and in the local sector. Through innovative product development, we will strive to become a leader in our field.

All machines are developed in a simple and functional design in close cooperation with dealers and end users. It is our goal to cover every need in the market segment with preferably 2 different solutions. In-depth analysis of requirements and serious advice to the customer is offered the best solution, where individual needs can be met through the modularity of the product program.

Our goal is also to offer the best possible after sales service, and a quick and efficient spare parts supply.

USEFUL INFORMATION

Before using the machine for the first time, it's the seller's responsibility that the buyer is given this parts list. If the machine is resold, the parts list must be transferred to the new owner.

Please fill out the list below to ensure that the necessary information is at hand when ordering spare parts etc.

Serial No

Delivery date

Dealer

Tlf./ fax



Merkurvej 25
DK 6000 Kolding
Danmark
Tlf: +45 75553644
Fax: +45 75554243
Email: info@greentec.eu
[http: www.greentec.eu](http://www.greentec.eu)
Opening hours: Mon-Fri 8-16

ORDERING PARTS

When ordering parts please refer to your parts list to help your dealer with your order.

- Part number and quantity
- Description
- Machine model number
- Serial number of the machine
- Delivery instructions (e.g. next day).

Delivery is normally via carrier direct to your dealer. Please check with your dealer for stock availability and arrangement of dispatch. Ensure you or your dealer has sufficient cover for parts requirement outside factory hours.

Important Note

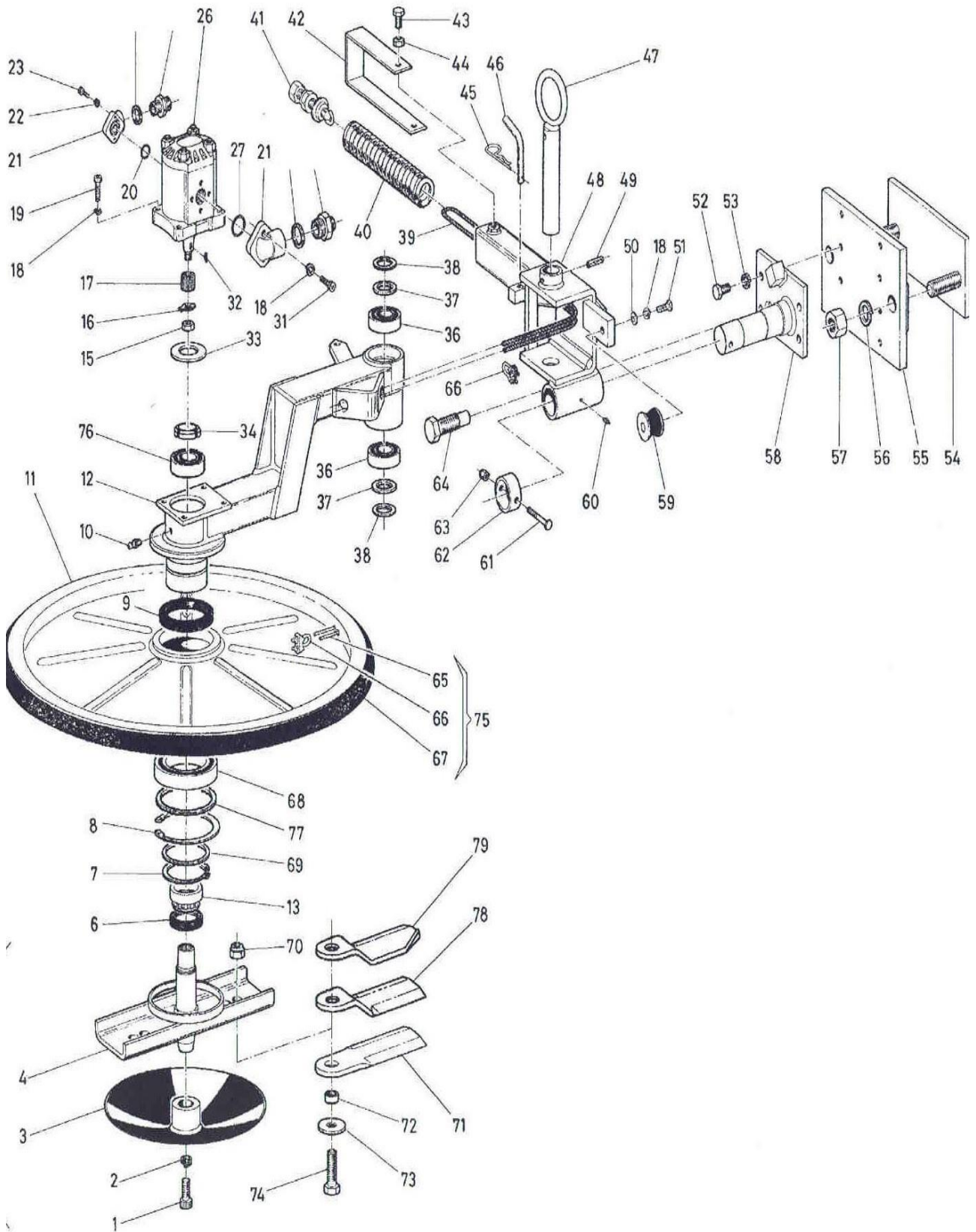
The information contained in this manual is correct at the time of publication. However, in the course of constant development, changes in specification are inevitable. Should you find the information given in this book different to the machine it relates to, please contact the “After Sales Department” for advice.

Key:

LH: Left hand

RH: Right hand

SPARE PARTS



No.	Part number	Description	Qty
1	1521410	Bolt	1
2	8222008	Washer	1
3	3001890	Anti-scalp	1
4	3001895	Knivholder Ø60	1
4	3001928	Knivholder Ø80	1
6	0001810	Oil seal	1
7	1010075	Locking ring	1
8	1020115	Locking ring	1
9	0001858	Oil seal	1
10	0002654	Nipple	1
11	3000559	Disk Ø60	1
11	3001509	Disk Ø80	1
12	3000556	Disk Ø60	1
12	3002179	Disk Ø80	1
13	0001424	Bearing	1
15	1021512	Nut (Included in pos.26)	1
16	0002900	Lock washer	1
17	31000800	Spline bush	1
18	200156.0	Washer	7
19	8142012	Bolt	4
20		Included in pos. 21	1
21	8143002	Portflange 11cc	2
21	200132.0	Portflange 17cc	2
22		Included in pos. 21	
23		Included in pos. 21	
26	200130.4	Motor 11cc 25L	1
26	200130.0	Motor 17cc 40L	1
27		Included in pos. 21	
31		Included in pos. 21	
32	1551004	Key for motor (Included in pos. 26)	1
33	0600111	Bearing	1
34	1035635	Nut	1
36	0600111	Bearing	2

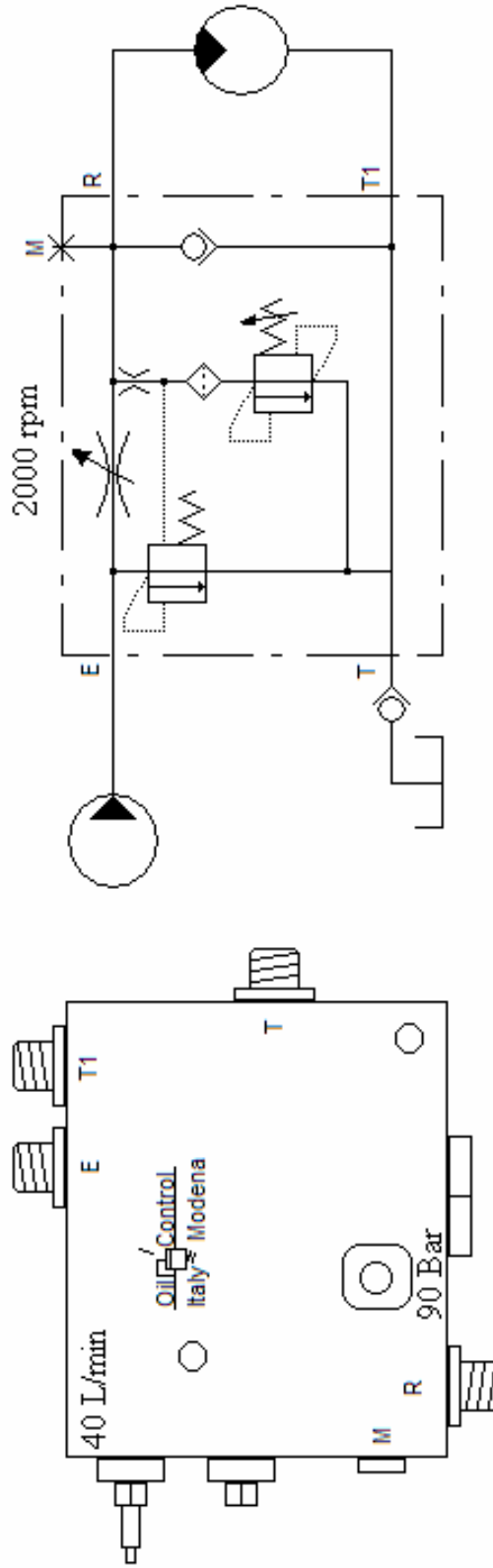
37	3000571	Washer	2
38	3000527	Washer	2
39	0001307	Wire	1
40	3000577	Spring	1
41	3000565	Bolt	1
42	3001138	Bracket	1
43	8222002	Bolt	2
44	1012510	Nut	2
45	0002115	Split	1
46	3000579	Split	1
47	3000574	Nagle	1
48	30004693	Pully	1
49	1608040	Relæ	1
50	2770456	Washer	1
51	1110810	Bolt	1
52	2770535	Bolt	4
53	2770344	Lock nut	4
54	3000564	Bracket	1
55	3000562	Bracket	1
56	2770354	Washer	2
57	1012522	Nut	2
58	3004692	Bracket	1
59	0002104	Split	1
60	2770467	Grease nipple	1
61	1100824	Bolt	1
62	3000570	Ring	1
63	2770416	Lock nut	1
64	3000578	Bolt	1
65		Easy-lock Ø60 Included in pos. 75	1
65		Easy-lock Ø80 Included in pos. 75	1
66	1562220208	Wire lock	3
67		Protection Ø60 Included in pos. 75	1
67		Protection Ø80 Included in pos. 75	1
68	0001423	Bearing	1

69	3000569	Ring	1
70	81822001	Luck nut	2
71	3000580	Knife Ø60-Ø80 OPTION	2
72	3000500	Bushing	2
73	3000582	HD washer	2
74	933160501	Screw	2
75	0002602	Rubber protection Ø60	1
75	0002643	Rubber protection Ø80	1
76	0164004.0	Bearing	1
77	3004305	Shims	1
78	3003045	Blade R&L rotation OPTION	2
79	3001281	Blade standard	2

DIAGRAM

E	P fra pompe	P von Pumpe	P from pump	Max. 150 L/min.
R	Reguleret flow	Reguliere Öl menge	Regulated oil flow	Max. 90 L/min.
T1	Retur fra motor	Zurück von Motor	Return from Motor	
T	Tankforbindelse	Tankverbindung	Tank connection	
M	Manometerforlslutning	Manometer anschluss	Manometer test plug	

E-R-T1-T = 3/4" Gewind / Thread
M = 1/4" Gewind / Thread



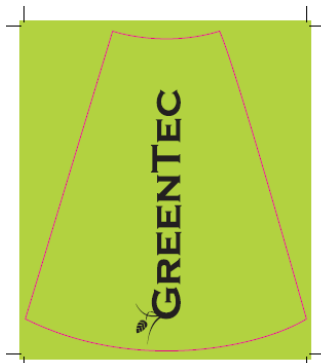
STICKERS



173 x 197 mm



75 x 178 mm



173 x 197 mm

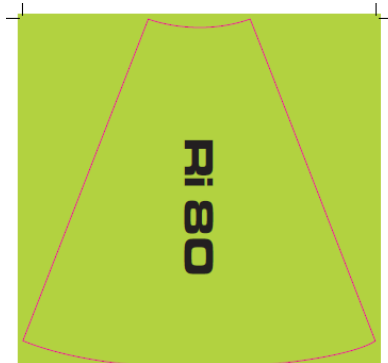


50 x 24 mm



50 x 24 mm

RI60 KITS



235 x 233 mm



87 x 206 mm



235 x 233 mm



50 x 24 mm



50 x 24 mm

RI80 KITS



Merkurvej 25 | DK-6000 Kolding | Tel.: +45 75 55 36 44 | info@GreenTec.eu | www.GreenTec.eu

Cutting Edge Technology